

Product data sheet

Specifications

SQUARE D

Green Premium™



Load center, Homeline, 1 phase, 8 spaces, 16 circuits, 125A convertible main lugs, PoN, NEMA3R

HOM816L125PRB

Main

Product Type	Load Center
Marketing Trade Name	Homeline
Load Center Type	PoN Convertible Mains (lugs)
Rated Current	125 A
Number of Spaces	8
Maximum Number of Single Pole Circuits	16
Enclosure Rating	NEMA 3R outdoor
Cover Type	Surface cover
Electrical Connection	Lugs

Complementary

Max Short Circuit Current Rating	10 kA
Maximum Number of Tandem Breakers	8
Number of Phases	1 phase
Voltage Rating	120/240 V AC
Wire Size	AWG 6...AWG 2/0 aluminium AWG 6...AWG 1 copper
Ground Bar	Grounding bar (ordered separately)
Wiring Configuration	3-wire
Busbar Material	Tin plated aluminium busbar
Enclosure Material	Welded galvanized steel
Surface Finish	Baked enamel Gray
Box Number	3R
Height	18.94 in (481 mm)
Width	14.76 in (375 mm)
Depth	4.53 in (115 mm)

Disclaimer: This documentation is not intended as a substitute for and is not to be used for determining suitability or reliability of these products for specific user applications

Environment

Ambient Air Temperature for Operation 23 °F (-5 °C)
104 °F (40 °C)

Product Certifications UL listed file E-6294

Ordering and shipping details

Category 00149-HOM 2-8 CKT,MLO,NEMA1&3R

Discount Schedule DE3C

GTIN 785901973997

Returnability Yes

Country of origin US

Packing Units

Unit Type of Package 1 PCE

Number of Units in Package 1 1

Package 1 Height 5.00 in (12.7 cm)

Package 1 Width 15.40 in (39.116 cm)

Package 1 Length 20.70 in (52.578 cm)

Package 1 Weight 20.40 lb(US) (9.253 kg)

Unit Type of Package 2 PAL

Number of Units in Package 2 45

Package 2 Height 45.00 in (114.3 cm)

Package 2 Width 40.00 in (101.6 cm)

Package 2 Length 48.00 in (121.92 cm)

Package 2 Weight 948.00 lb(US) (430.005 kg)

Offer Sustainability

Sustainable offer status Green Premium product

California proposition 65 WARNING: This product can expose you to chemicals including: Lead and lead compounds, which is known to the State of California to cause cancer and birth defects or other reproductive harm. For more information go to www.P65Warnings.ca.gov

REACH Regulation [REACH Declaration](#)

REACH free of SVHC Yes

EU RoHS Directive Compliant
[EU RoHS Declaration](#)

Toxic heavy metal free Yes

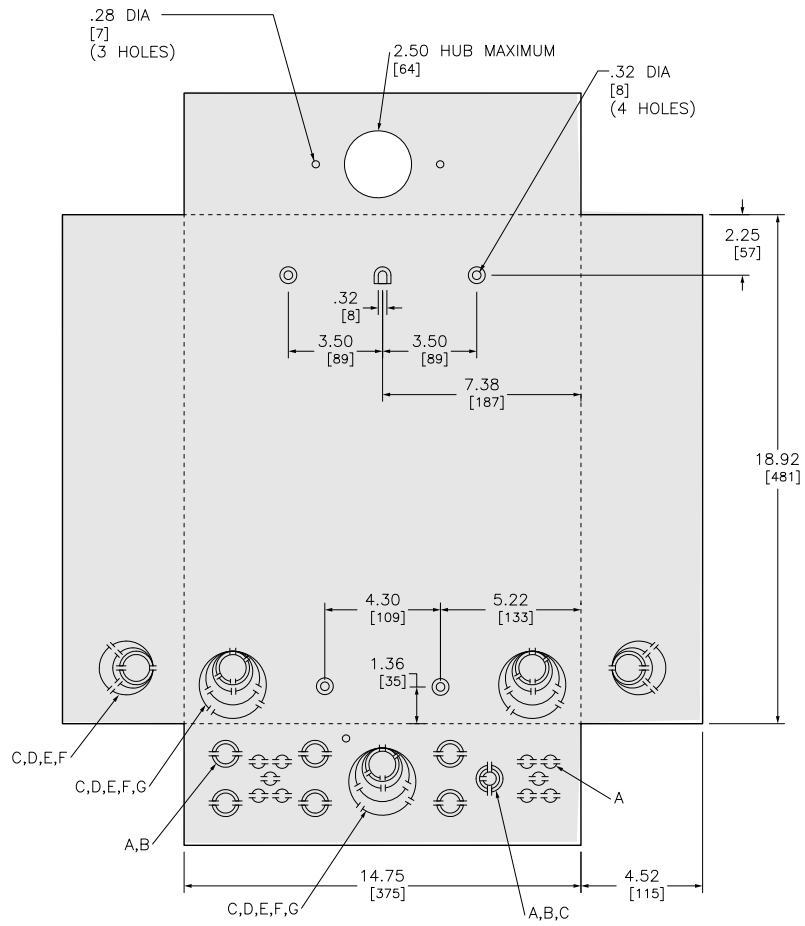
Mercury free Yes

RoHS exemption information [Yes](#)

China RoHS Regulation [China RoHS declaration](#)
Pro-active China RoHS declaration (out of China RoHS legal scope)

Environmental Disclosure [Product Environmental Profile](#)

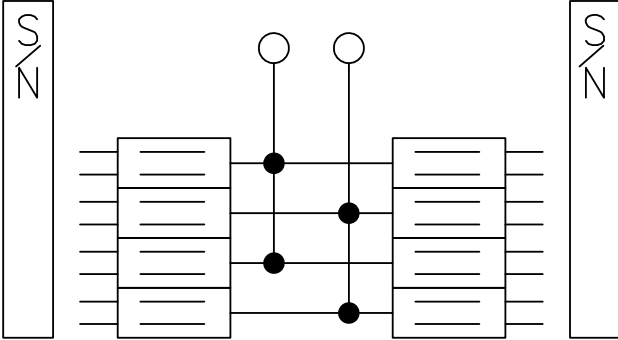
Dimensions



KNOCKOUTS							
SYMBOL	A	B	C	D	E	F	G
IN	.50	.75	1.00	1.25	1.50	2.00	2.50
MM	13	19	25	32	38	51	64

ALL DIMENSIONS ARE APPROXIMATE.
 ALSO REFER TO TECHNICAL DRAWINGS AND DOCUMENTATION.

Wiring Diagram



HOM816L125PRB

Recommended replacement(s)