

Product data sheet

Specifications

SQUARE D

Green Premium™



Safety switch, general duty, non fusible, 200A, 3 poles, 60 hp, 240 VAC, NEMA 3R, bolt-on provision

DU324RB

Main

Product	Single Throw Safety Switch
Duty Rating	General duty
Device Application	Residential
Disconnect Type	Non-fusible disconnect switch
Factory Installed Neutral	None
Phase	3 phase
Number of Poles	3
Current Rating	200 A
Voltage Rating	240 V AC
Enclosure Rating NEMA	NEMA 3R
Maximum Horse Power Rating	15 hp 240 V at AC 60 Hz for 1 phase conforming to NEC 430.52 60 hp 240 V at AC 60 Hz for 3 phase conforming to NEC 430.52

Complementary

Mounting Type	Surface
Electrical Connection	Lugs
Wiring configuration	3-wire
Wire Size	AWG 6...250 kcmil aluminium/copper
Tightening torque	275 lbf.in (31.07 N.m) (AWG 6...250 kcmil)
Depth	8.25 in (209.55 mm)
Width	19 in (482.60 mm)
Height	29 in (736.60 mm)
Net Weight	53.00 lb(US) (24.04 kg)

Environment

Certifications	UL listed file E2875
----------------	----------------------

Ordering and shipping details

Category	00106-D & DU SW,NEMA3R, 30-200A
----------	---------------------------------

Disclaimer: This documentation is not intended as a substitute for and is not to be used for determining suitability or reliability of these products for specific user applications

Discount Schedule	DE1A
GTIN	785901491880
Nbr. of units in pkg.	1
Package weight(Lbs)	44.85 lb(US) (20.344 kg)
Returnability	Yes
Country of origin	US

Packing Units

Unit Type of Package 1	PCE
Package 1 Height	8.70 in (22.098 cm)
Package 1 width	19.40 in (49.276 cm)
Package 1 Length	30.80 in (78.232 cm)
Unit Type of Package 2	PAL
Number of Units in Package 2	15
Package 2 Weight	652.00 lb(US) (295.742 kg)
Package 2 Height	46.00 in (116.84 cm)
Package 2 width	40.00 in (101.6 cm)
Package 2 Length	48.00 in (121.92 cm)

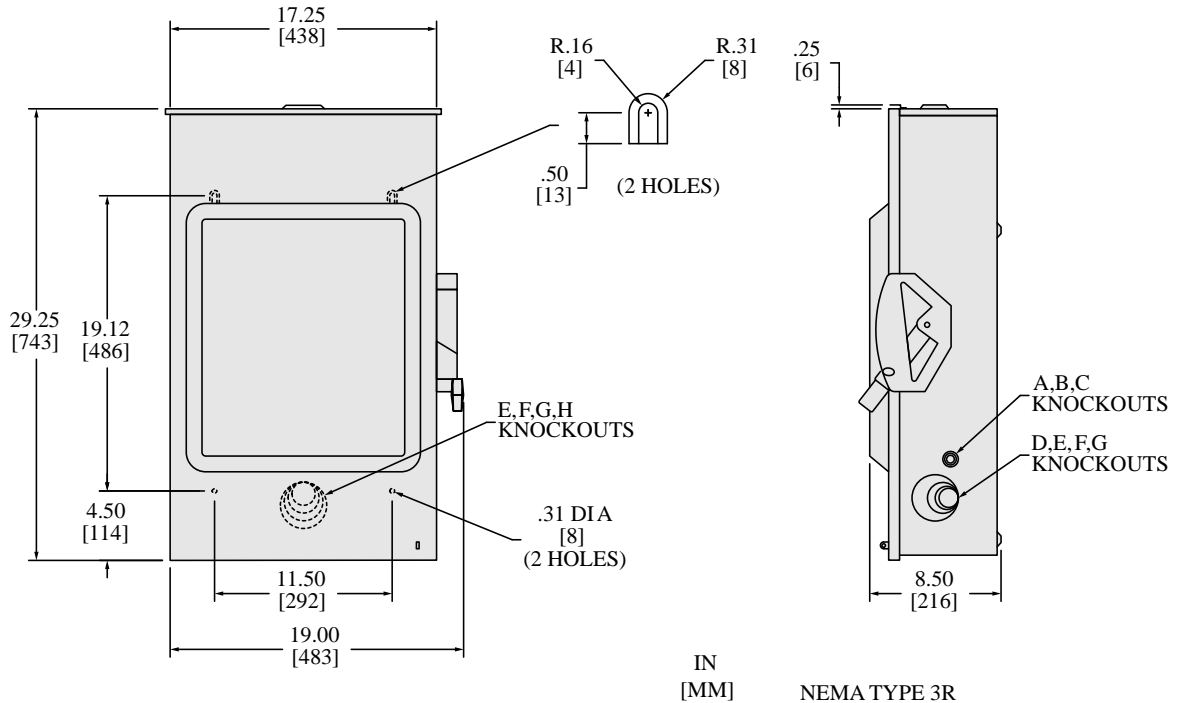
Offer Sustainability

Sustainable offer status	Green Premium product
California proposition 65	WARNING: This product can expose you to chemicals including: Lead and lead compounds, which is known to the State of California to cause cancer and birth defects or other reproductive harm. For more information go to www.P65Warnings.ca.gov
REACH Regulation	REACH Declaration
REACH free of SVHC	Yes
EU RoHS Directive	Compliant EU RoHS Declaration
Toxic heavy metal free	Yes
Mercury free	Yes
RoHS exemption information	Yes
China RoHS Regulation	China RoHS declaration Pro-active China RoHS declaration (out of China RoHS legal scope)
Environmental Disclosure	Product Environmental Profile
PVC free	Yes

Contractual warranty

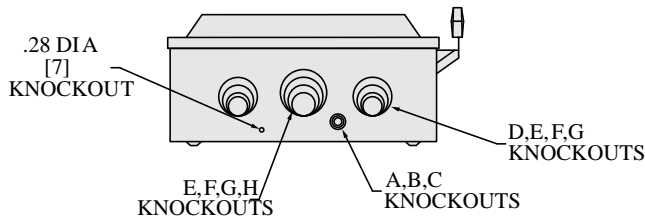
Warranty	18 months
----------	-----------

Dimensions



IN
[MM]

NEMA TYPE 3R



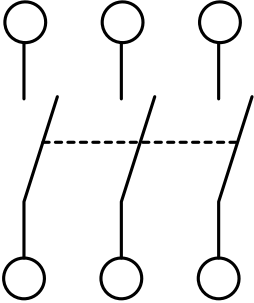
SYMBOL	KNOCKOUTS	
	CONDUIT SIZE	
	IN	MM
A	.50	13
B	.75	19
C	1.00	25
D	1.25	32
E	1.50	38
F	2.00	51
G	2.50	64
H	3.00	76

WHEN MOUNTING THESE SWITCHES, ALLOW 4.00 [102] MIN CLEARANCE BETWEEN ENCLOSURES FOR OPENING OF SIDE HINGED DOOR.

TOP OF NEMA TYPE 3R DEVICES HAVE PROVISIONS FOR MAXIMUM 2.50 [64] BOLT-ON HUB.

ALL DIMENSIONS ARE APPROXIMATE. REFER TO TECHNICAL DRAWINGS AND DOCUMENTATION.

NOT FUSIBLE



DU324RB