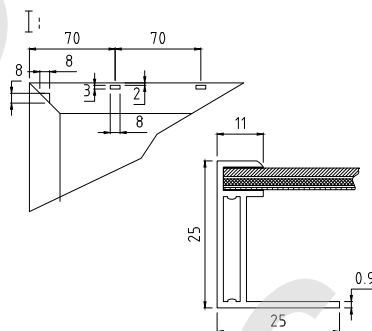
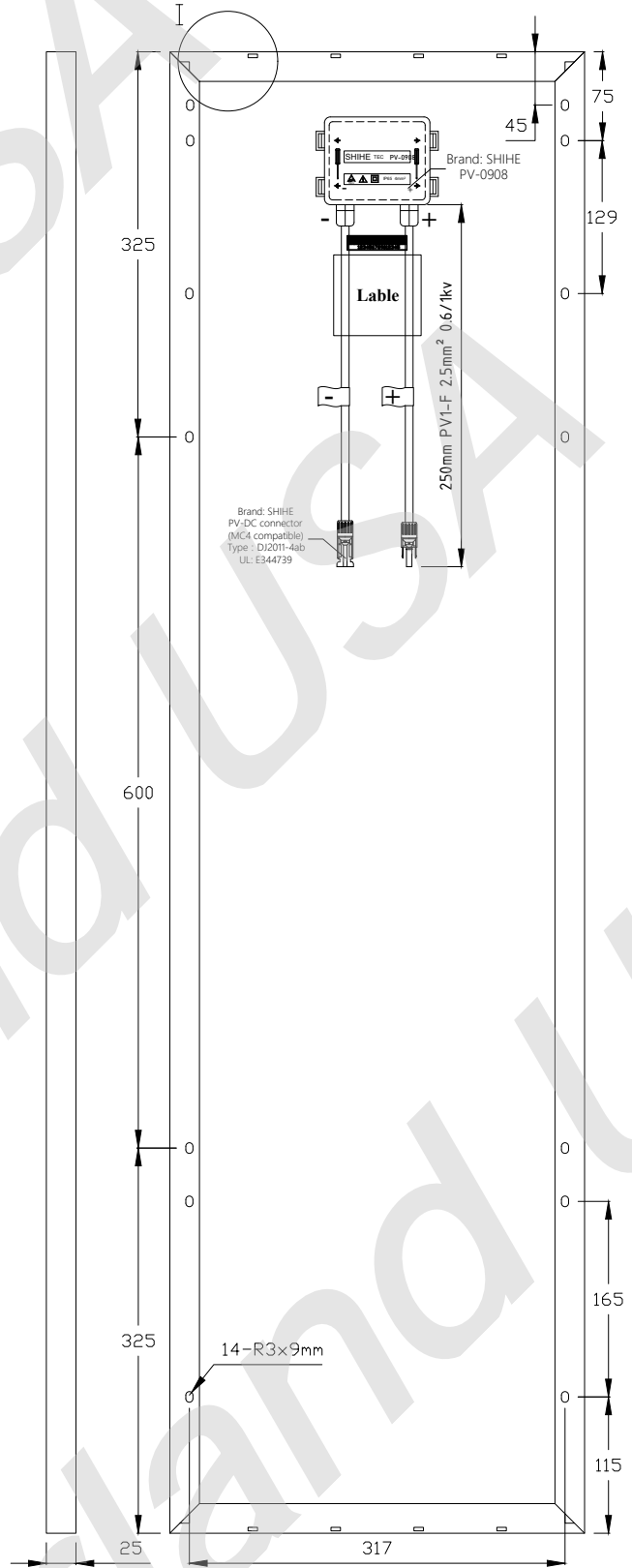
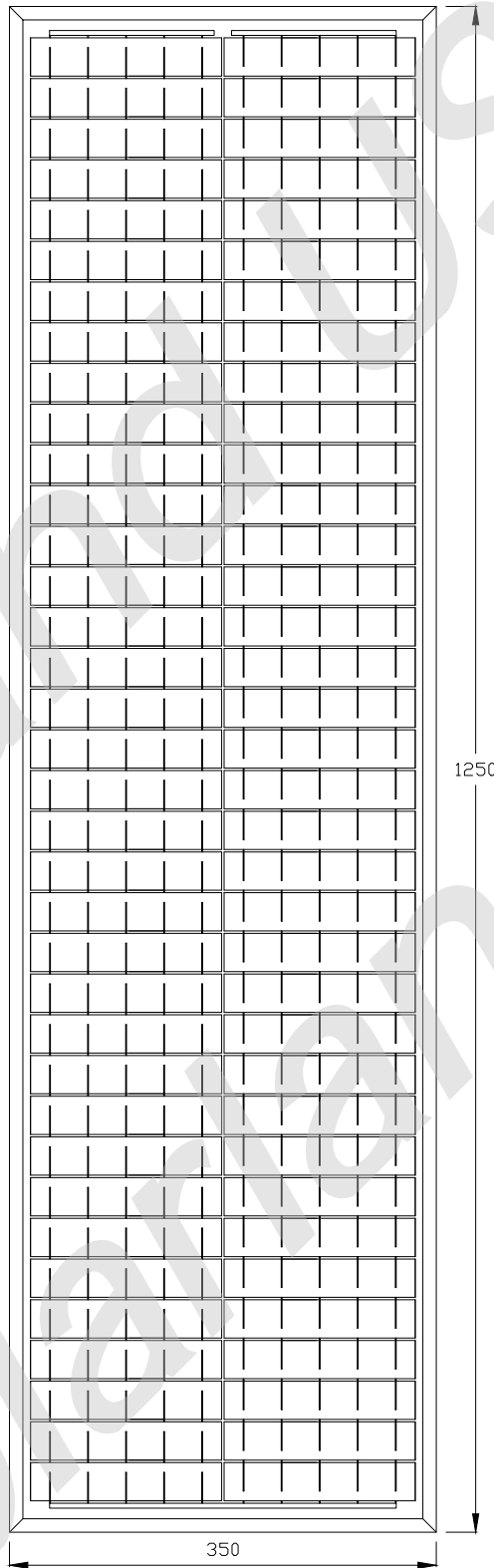



Junction Box: IP65  
 Certificate: UL1703, IEC61730

### REVISIONS

REV	DESCRIPTION	DATE	APPROVED
A	RELEASE	2023/5/29	Larry



		<b>TOLERANCE UNLESS OTHERWISE SPECIFIED:</b> ANGULAR: ±0.5° X: ±1 .X: ±0.5		PROPRIETARY AND CONFIDENTIAL THE INFORMATION CONTAINED IN THIS DRAWING IS THE SOLE PROPERTY OF SOLARLAND USA. ANY REPRODUCTION IN PART OR AS A WHOLE WITHOUT THE WRITTEN PERMISSION OF SOLARLAND USA IS PROHIBITED.	
		<b>ELECTRICAL PARAMETERS:</b> SHORT CIRCUIT CURRENT (Isc): 1.75A OPEN CIRCUIT VOLTAGE (Voc): 44.6V PEAK POWER (Wp): 60W MAX POWER CURRENT (Imp): 1.62A MAX POWER VOLTAGE (Vmp): 37.2V <b>STANDARD TEST CONDITION:</b> 1000W/m², AM1.5, 25°C		MODULE NUMBER: <b>SLP060-24C</b> PRODUCTION CODE: <b>060012411A</b>	
DRAWN: Larry CHECKED: [ ] Cells Type: 72cells 156.75*31.35		BY: Larry DATE: 2023.05.29		REV: A Customer Code: [ ] UNIT: mm SHEET 1 OF 1	