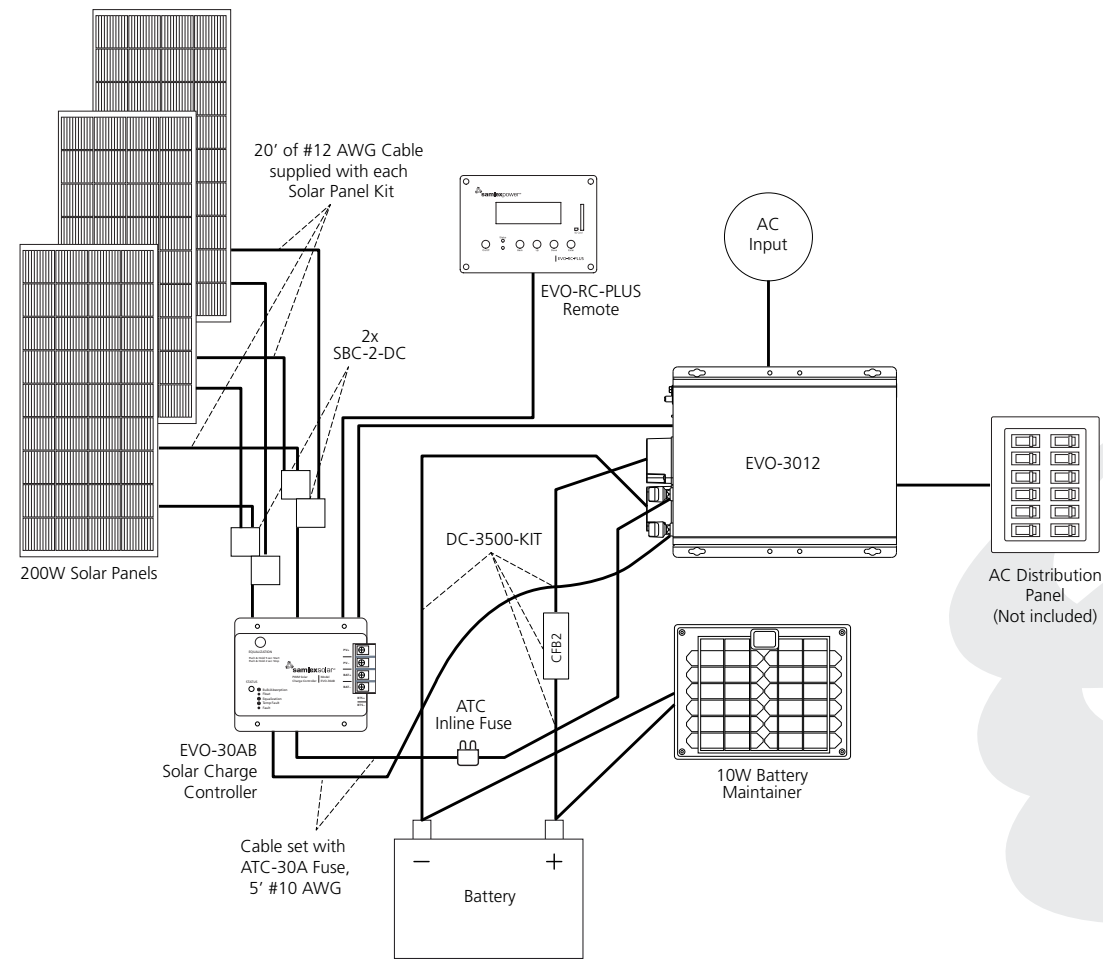


SPB-ENJOY-600 Installation



samlexsolar[®]

Solar + Power Bundles

Models:
 SPB-EXPLORE200
 SPB-SHARE400
 SPB-ENJOY600

Installation Guide

Thank you for purchasing the Samlex Solar Power Bundle. We know you will enjoy many years of great service from this quality state-of-the-art product. Samlex Customer Service and Application Engineers are available to assist you with installation, setup, or operating instructions.

The Solar Power Bundle is highly configurable for many different and specific applications. To get you up and running quickly, we have created this simple overview Reference Guide to assist you with the basic setup procedures so that you may later configure for your specific needs.

Install Instructions

Read all Manuals prior to Install

1. Check all materials in your kit

2. Plan your system

- Location for all products
 - Cable and connections between all products
 - Refer to wiring diagram

3. Install Solar Panels

4. Install Charge Controller

5. Install Inverter

6. Install Fuse

7. Install Transfer Switch - Electrician required to conduct work



- If there are any items of the Reference Manual that you do not understand, do not attempt to install the unit yourself. For a safe and code compliant installation, consult a Certified Electrician that is familiar with Local and National electrical codes, proper installation of solar panels, and the design of alternative energy systems.
- All electrical systems both DC and AC must be disconnected from the source during the installation.
- Use of insulated tools is recommended.

SOLAR POWER BUNDLES | Installation Guide

SPB-EXPLORE200 Includes:			Reference Manual
1	SRV-200-30A	Solar Charging Kit, 200 Watts with 30A Charge Controller	SCC-30AB Manual
1	NTX-1500-12	Pure Sine Wave Inverter, 1500 Watts	NTX-1500-12 Manual
1	STS-30	Transfer Switch with Inverter Quick Connect 30 Amps	STS-30 Manual
1	DC-2500-KIT	2500W Inverter Install Kit: (1) 300A fuse assembly (includes fuse), (1) 10 Ft AWG# 2/0 Positive Cable, (1) 10 Ft AWG# 2/0 Negative Cable	DC-2500-KIT and NTX-1500-12 Manuals
1	SC-05	5W SunCharger Battery Maintainer	SC-05 Manual
1	ATM-HOLDER	Inline Fuse Holder for #12 Awg Cable	SCC-30AB Manual
1	ATM 30A FUSE	ATM Type 30A Fuse for #12 Awg Cable	SCC-30AB Manual

SPB-SHARE400 Includes:			Reference Manual
2	SSP-200-KIT	Solar Panel Kit, 200 Watts with cables, connectors and mounting brackets	EVO-30AB Manual
1	EVO-30AB	Solar Charge Controller, 12/24V, PWM, 30 Amp	EVO-30AB Manual
1	EVO-2212	Inverter/Charger Input: 12VDC Output: 120VAC 2200 Watt c/w 100 Amp Charger	EVO Quickstart Guide and Manual
1	EVO-RC-PLUS	Remote control for EVO Inverter Charger 1212F, 1212F-HW, 1224F, 1224F-HW	EVO-RC-PLUS Manual
1	SBC-2-DC	Solar Panel Branch Connectors: (1) Female Connector, (1) Male Connector	EVO-30AB Manual
1	DC-2500-KIT	2500W Inverter Install Kit: (1) 300A fuse assembly (includes fuse), (1) 10 Ft AWG# 2/0 Positive Cable, (1) 10 Ft AWG# 2/0 Negative Cable	DC-2500-KIT and EVO-2212 Manuals
1	SC-10	10 W Sun Charger Battery Maintainer	SC-10 Manual
1	Cable Set, 5' #10 Awg	Cable Set, Red & Black 5ft, #10 Awg with ATC 30A Fuse	EVO-30AB Manual

SPB-ENJOY600 Includes:			Reference Manual
3	SSP-200-KIT	Solar Panel Kit, 200 Watts with cables, connectors and mounting brackets	EVO-30AB Manual
1	EVO-30AB	Solar Charge Controller, 12/24V, PWM, 30 Amp	EVO-30AB Manual
1	EVO-3012	Inverter/Charger Input: 12VDC Output: 120VAC 3000 Watt c/w 130 Amp Charger	EVO Quickstart Guide and Manual
1	EVO-RC-PLUS	Remote control for EVO Inverter Charger 1212F, 1212F-HW, 1224F, 1224F-HW	EVO-RC-PLUS Manual
2	SBC-2-DC	Solar Panel Branch Connectors: (1) Female Connector, (1) Male Connector	EVO-30AB Manual
1	DC-3500-KIT	3500W Inverter Install Kit: (1) 400A fuse assembly (includes fuse), (1) 10 Ft AWG# 4/0 Positive Cable, (1) 10 Ft AWG# 4/0 Negative Cable	DC-3500-KIT and EVO Manuals
1	SC-10	10 W Sun Charger Battery Maintainer	SC-10 Manual
1	Cable Set, 5' #10 Awg	Cable Set, Red & Black 5ft, #10 Awg with ATC 30A Fuse	EVO-30AB Manual

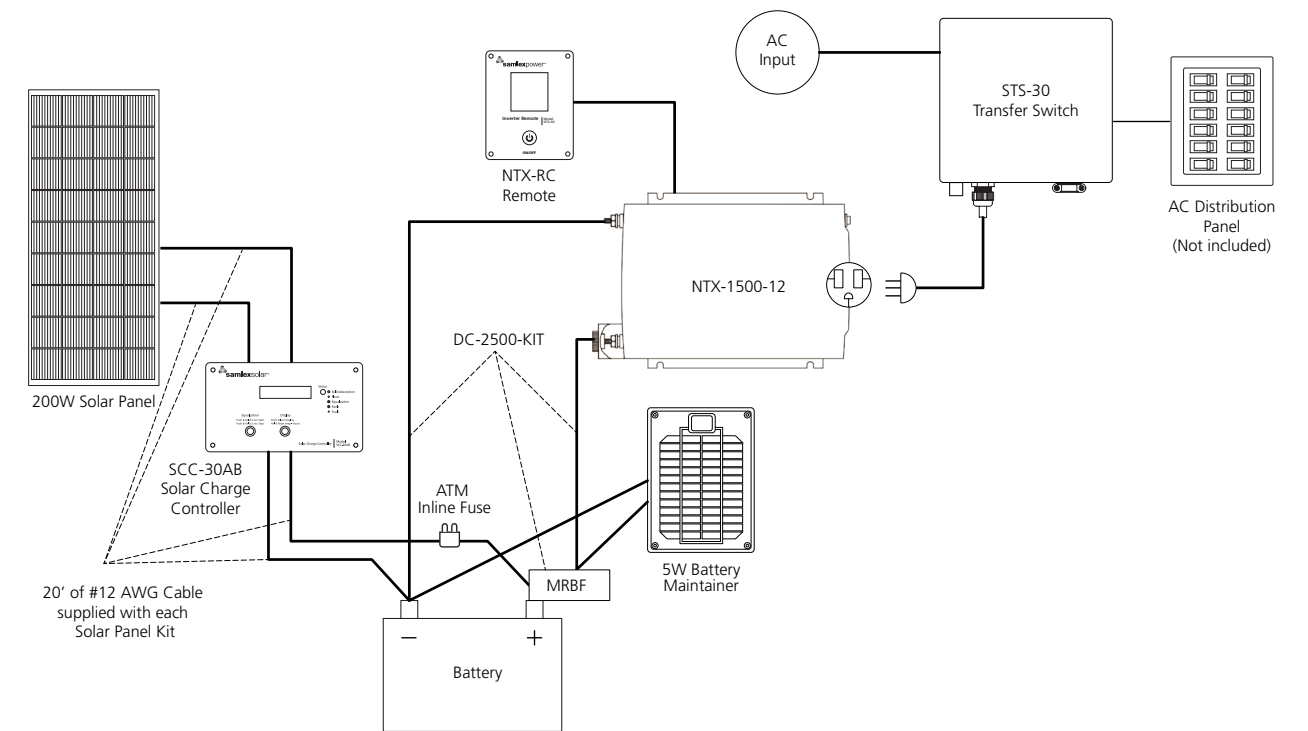
- Contact your supplier if any of the items are missing. If any damage is observed, do not proceed with the installation.
- Check that the model and specifications are correct (e.g. 12 or 24 Volt battery system, AC voltage and output power meets the load requirements).

Read the entire Owner's Manuals of each of the products included in the Solar Power Bundle.

- Familiarize yourself with its contents prior to installation or operation. This Guide will frequently refer to specific pages in the Owner's Manual for detailed information.
- Plan mounting locations and wiring in accordance with codes and directions from each product's manual.

SOLAR POWER BUNDLES | Installation Guide

SPB-EXPLORE-200 Installation



SPB-SHARE-400 Installation

