

FLEXTOWER ALL-IN-ONE WHOLE HOME ENERGY STORAGE

All-in-One Solution

- Inverter, charge controller, LCD Control Panel, Battery and remote monitoring app integrated in one unit
- Supports Off-grid, Back-up, Zero Export, Time-of-Use, Demand Response, Peak Shaving, and Virtual Power Plant

Flexible & Easy Install

- IP65 water and dust proof for indoor & outdoor installation. NEMA3R
- AC or DC couple to existing or new PV arrays
- Optional Rapid Shutdown Button Included
- Side knockouts sized for solar, grid, and generator wiring

Highest Reliability for Maximal Protection

- 8000+ cycle life with tier 1 Automotive Lithium Iron Phosphate (LFP) battery
- Easily scaled to meet all large residential and commercial electricity needs

Whole Home Backup with 200A Grid Pass-through

- 200A Pass-through eliminates backup panel requirement
- Saves time on inverter wiring
- Includes battery cables and combiner for additional savings

Highest Roundtrip Efficiency to Maximize Your Solar Investment

- >98% Battery Efficiency
- 96.5% CEC-Rated Inverter Efficiency
- Compatible with Din-Rail Heaters to maximize lifecycles in cold climates



APPLICATION SCENARIOS



Residential



Small Commercial



Farm



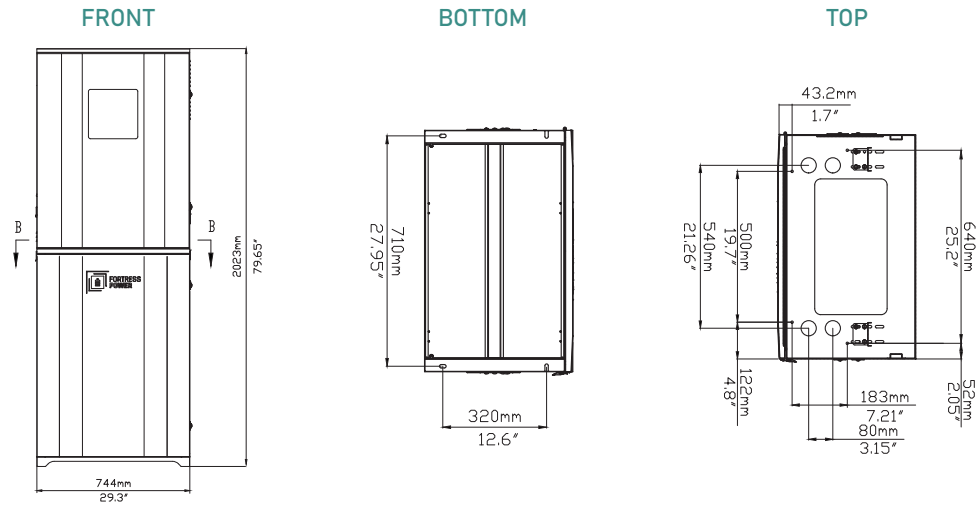
Mobile



Railway



Telecom



Model	12K	15K
On Grid AC Output		
Rate AC Output Power to Grid (On-Grid)	12000W (50A@240V)	15000W (62.5A@240V)
Rate AC Output Power to Load (Off-Grid)	9000W (37.5A@240V)	12000W (50A@240V)
Grid Bypass	15120W (63A@240V)	48000 (200A@240V)
Surge AC Power for 10 sec in Backup Mode	16,000W	24,000W
AC Output Voltage	120/240Vac (split phase), 208Vac (2/3 phase)	
AC Output Frequency	50/60 Hz	
Inverter CEC Efficiency	96.5% (Peak 97.5%)	
Response Time (Grid-tie to Off-Grid)	5 ms	
PV Output		
PV Input Power	17000W	17000W
PV Voltage Range	125-500V	
MPPT Voltage Range	150-425V	
Number of MPPT	2	3
Max Solar String per MPPT	2	2
Max DC Current per MPPT	20A	26A
Max AC coupled Input (Micro/String Inverters)	9600W	19200W
Battery (48V)		
Battery Cell Type	Tier 1 Automotive Prismatic Lithium Iron Phosphate	
Battery Type	eFlex 5.4	
Battery Capacity Range Scalable Capacity Range	16.2 - 81 kWh	
Voltage Range	45 - 56V	
Max Charging/Discharging Rate	185A	250A
Battery Efficiency	98%	
General Data		
Operation Temperature Range	32°F ~ 114°F (0°C ~ 45°C)	
IP Rating	IP65/NEMA 3R	
Enclosure Weight	265lbs (120kg)	
Dimension (W x H x D)	29.3 x 79.5 x 17.7in (744 x 2019 x 449mm)	
Cooling	Fan Cooling	
Warranty	10 years (8000 Cycles @ 80% DoD)	
Communication	Modbus, RS485, WIFI	
Certificates	UL 1741, UL 1741-SA, UL 1973, UL 9540, UL 9540 (A)	
Side Knockouts	1.5" (3), 1.25" (1), 0.75" (4)	