

FORTRESS POWER

eVault Max 18.5 Lithium Battery Storage



**UL 9540
UL 9540A
UL 1973**



The newest innovative Lithium Iron Phosphate battery from Fortress Power is the eVault Max 18.5 kWh. An all-in-one solution for your residential and commercial needs. Scalable up to 370kWh with a serviceable top cover access to make installation of this battery simple and worry free. The eVault Max is AC/DC coupled to solar arrays and works for many applications that require solar storage, including Off-Grid, Back Up Power, Self-Supply, Peak Charge Reduction, and Demand Response, just to name a few.

We Provide You The Largest Single Residential Battery On The Market With Easy Installation!

- Safe Lithium Iron Phosphate Technology (LiFePO4)
- High Durability and Long-Lasting
- Closed Loop Communication with Inverters
- Scalable from 18.5 kWh - 370 kWh
- Intelligent Digital Processor Based Battery Management System (BMS)
- Advanced cell level monitoring and balancing
- IP55 Aluminum Industrial Grade Enclosure
- Touch screen LCD performance display

Electrical Specifications	
Nominal Voltage	51.2V
Nominal Capacity	360AH
Rated Capacity @ 0.5C (180A)	18.43 kWh
Resistance	<10 mΩ
Communication Protocol	CAN/RS485
Efficiency (at 0.5C)	98%
Cell Self-Discharge	<1% / Month
Maximum Allowed Modules in Parallel	20 (370 kWh)
Depth of Discharge	Up to 100%
Warranty	10 Years
Cycle Life	8,000 (@ 80% DoD)

Charge Specifications	
Recommended Charge Current	150A
Maximum Charge Current	180A
Recommended Charge Voltage	54.4V
BMS Charge Voltage Disconnect	>56V

Discharge Specifications	
Recommended Continuous Discharge Rate	180A (9.2 KW)
Peak Discharge Rate	230A (12 KW 30 min)
Maximum Surge Power Rate	250A (12.8 kW 5 sec)
Recommended Low Voltage Disconnect	48V
Battery Low Voltage Protection	<46V
Battery Recovery Voltage	47V

Mechanical Specifications	
Dimensions: (L*W*H)	20.3" x 20.3" x 42.2" (515 x 515 x 1073mm)
Weight	520 lbs (235.87 kg)
Terminal Type	M10
Ring Terminal Size	1/2" or larger
Terminal Torque	7.0 - 7.7 Nm (5.1 - 5.7 ft - lb)
Case Material	Industrial Grade Aluminum
Enclosure Protection	IP55
Cell Type Chemistry	Tier 1 Automotive Prismatic - LiFePO ₄

Compliance Specifications:	
Certifications	UL1642, UL1973, UL9540, UL9540A, CEC, SGIP
Shipping Classification	UN 38.3. UN 3480, Class 9

Basic Charging Profile	
Bulk + Absorb Charge	54.4V
Absorb Time	60 Minutes
Float Charge	54V
Inverter Charging	2 Stage / No Float
Equalization	No equalization (typical) 54.6V for 10 seconds (rare)
Temperature Compensation	None

Temperature Specifications	
Discharge Temperature	-4°F~140°F (-20°C ~ 60°C)
Charge Temperature	32°F ~ 120°F (0°C ~ 49°C)
Storage Temperature	6 months: 14°F ~ 77°F (-10°C ~ 25°C) 3 months: -4°F ~ 113°F (-20°C ~ 45°C)



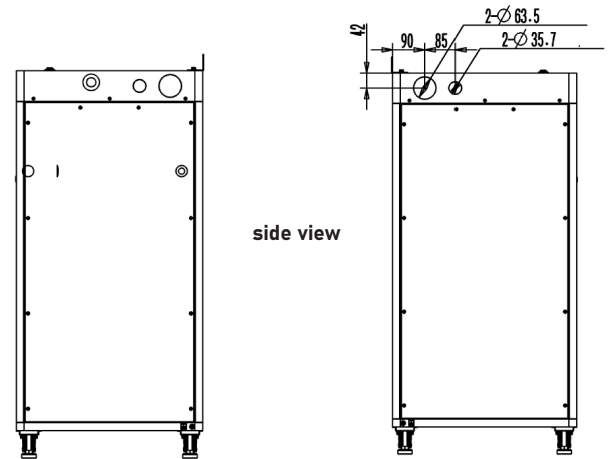
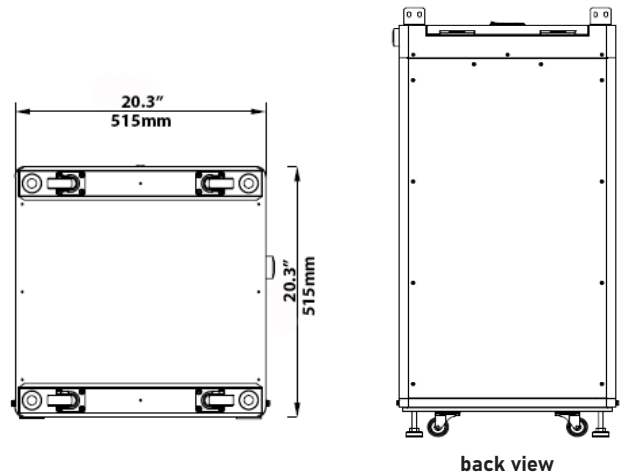
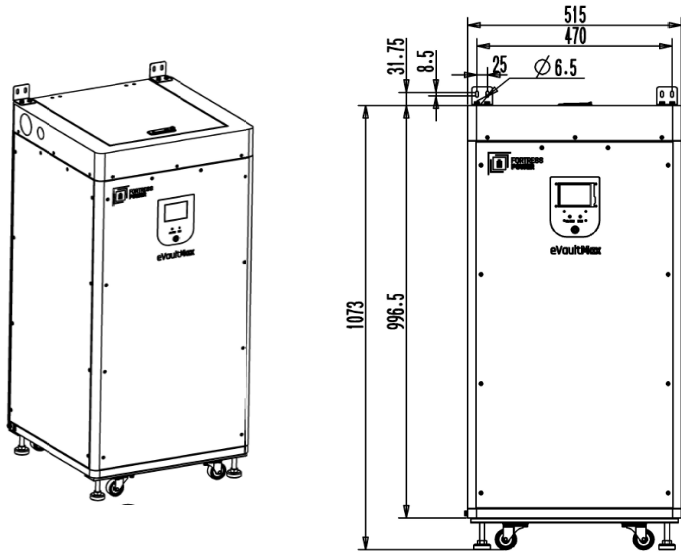
ABOUT FORTRESS POWER

Fortress Power proudly services homes, businesses, utilities, telecom and transportation companies worldwide. Our Pennsylvania-based team's passion for clean energy storage has earned us a place among the world's top energy storage battery manufacturers.

Our logistics centers located across the country offer easy distribution to all of our major markets. Fortress Power's high-performance solar lithium battery storage products are designed, engineered and inventoried along with live technical support in the United States.

Fortress Power has partnered with industry leading lending institutions to help make your solar investment as easy as possible.

Please visit our website for purchasing and financing options.
www.fortresspower.com



INTERESTED IN BECOMING AN AUTHORIZED DEALER?

SCAN ME



FORTRESS POWER
 Secure your energy

LATEST INVERTER INTEGRATION MANUAL

SCAN ME

