

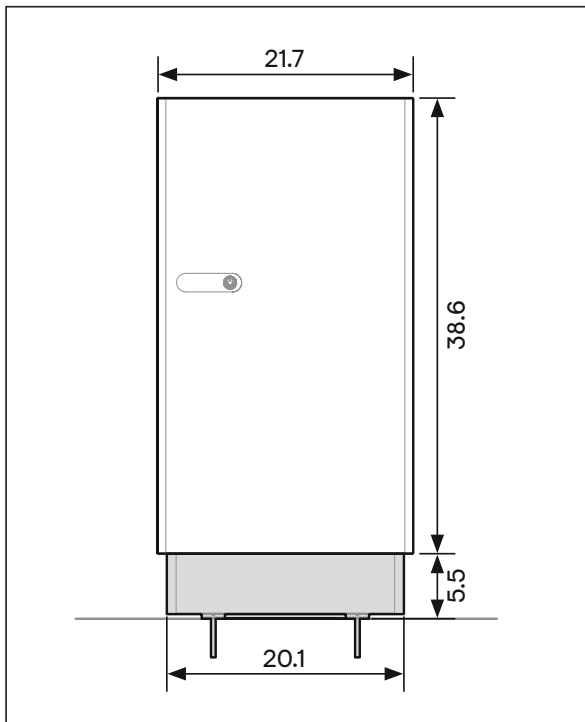


# IQ Battery 5P Pedestal Mount

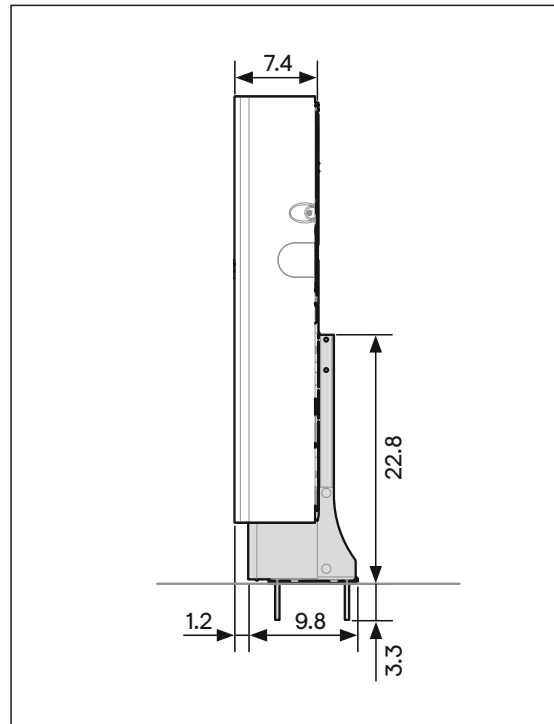
The Pedestal Mount helps install IQ Battery 5P on the ground without wall support. The leg assemblies of the Pedestal Mount are used as the foundation for the IQ Battery 5P. The cover at the bottom of the Pedestal Mount covers the leg assembly to give better aesthetics to the installation.

PRODUCT DETAILS		B05-PI-0550-O
Name	IQ Battery 5P Pedestal Mount	
Description	Includes one Pedestal Mount for IQ Battery 5P (Optional accessory. Required only if the battery is floor-mounted)	
WHAT'S IN THE BOX		
Pedestal bracket assembly	Two pedestal brackets with legs to mount IQ Battery 5P	
Pedestal cover	One Pedestal cover to protect the lower leg portion of the assembly	
L bracket	Two L brackets for fixing pedestal cover to the pedestal bracket assembly	
Drill template	One drill template for marking drilling points on the floor	
Quick install guide	One quick install guide for IQ Battery 5P pedestal mount installation instructions	
Fasteners and washers	Fasteners and washers for installing the IQ Battery 5P pedestal mount	
ENVIRONMENTAL SPECIFICATIONS		
Operating temperature	-4°F to 131°F (-20°C to 55°C) non-condensing	
Enclosure rating of the final installation	Outdoor - IP55/NEMA 3R1	
MECHANICAL DATA		
Shipping dimensions (H x W x D)	7.5 in x 23.6 in x 19.3 in	
Shipping weight	24.7 lbs (11.2 kg)	
Dimensions with IQ Battery 5P (H x W x D)	44.6 in x 21.7 in x 11.0 in	
Total installed weight (including an IQ Battery 5P unit)	187.95 lbs (85.25 kg)	
STANDARDS		
Safety	UL9540A	
Seismic	AC156	

Front view of IQ Battery 5P mounted on the Pedestal Mount (dimensions in inches)



Side view of IQ Battery 5P mounted on the Pedestal Mount (dimensions in inches)



# Revision history

REVISION	DATE	DESCRIPTION
DSH-00225-1.0	December 2023	Initial release.