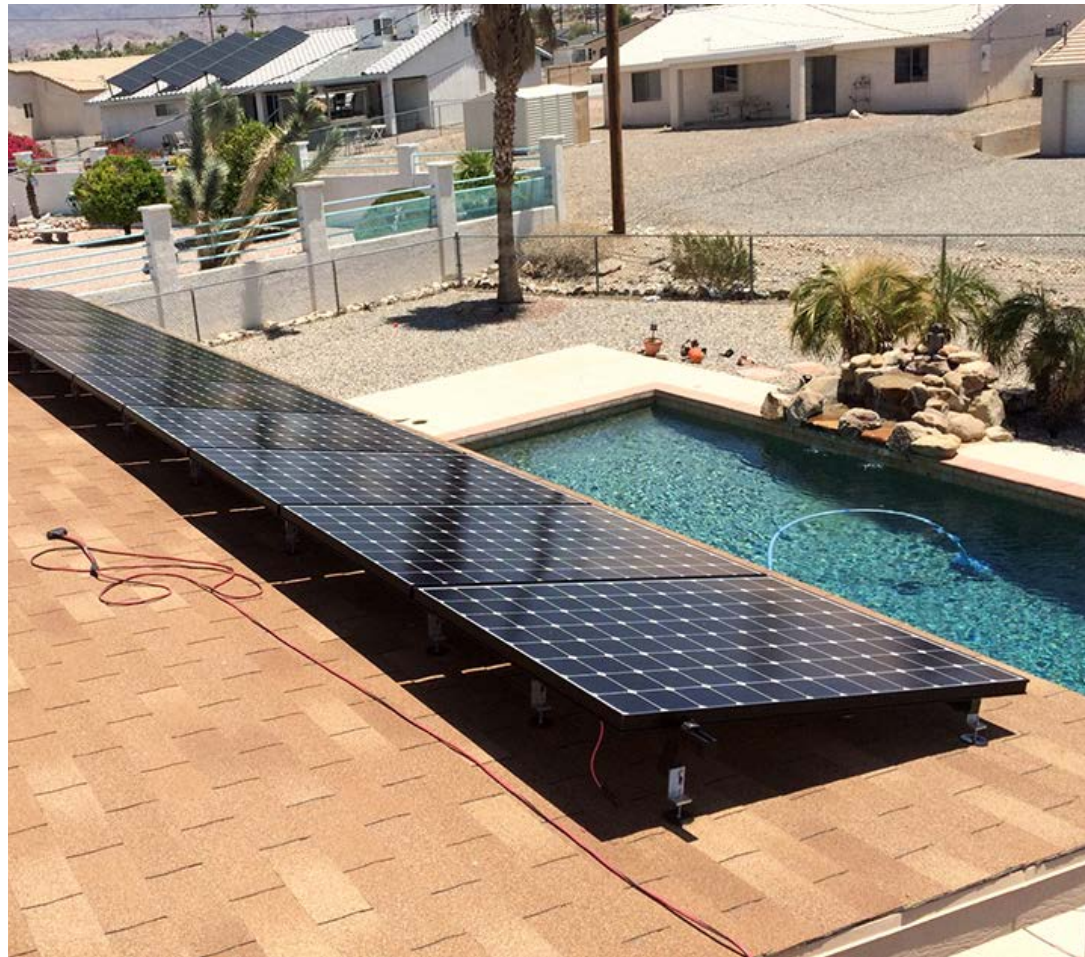


17962DF

BLACK SPLIT TOP QB2
WITH 3" MICROFLASHING® AND MINIFLASHING®
FOR ASPHALT, EPDM, & TPO ROOFS
PATENT # 8448407

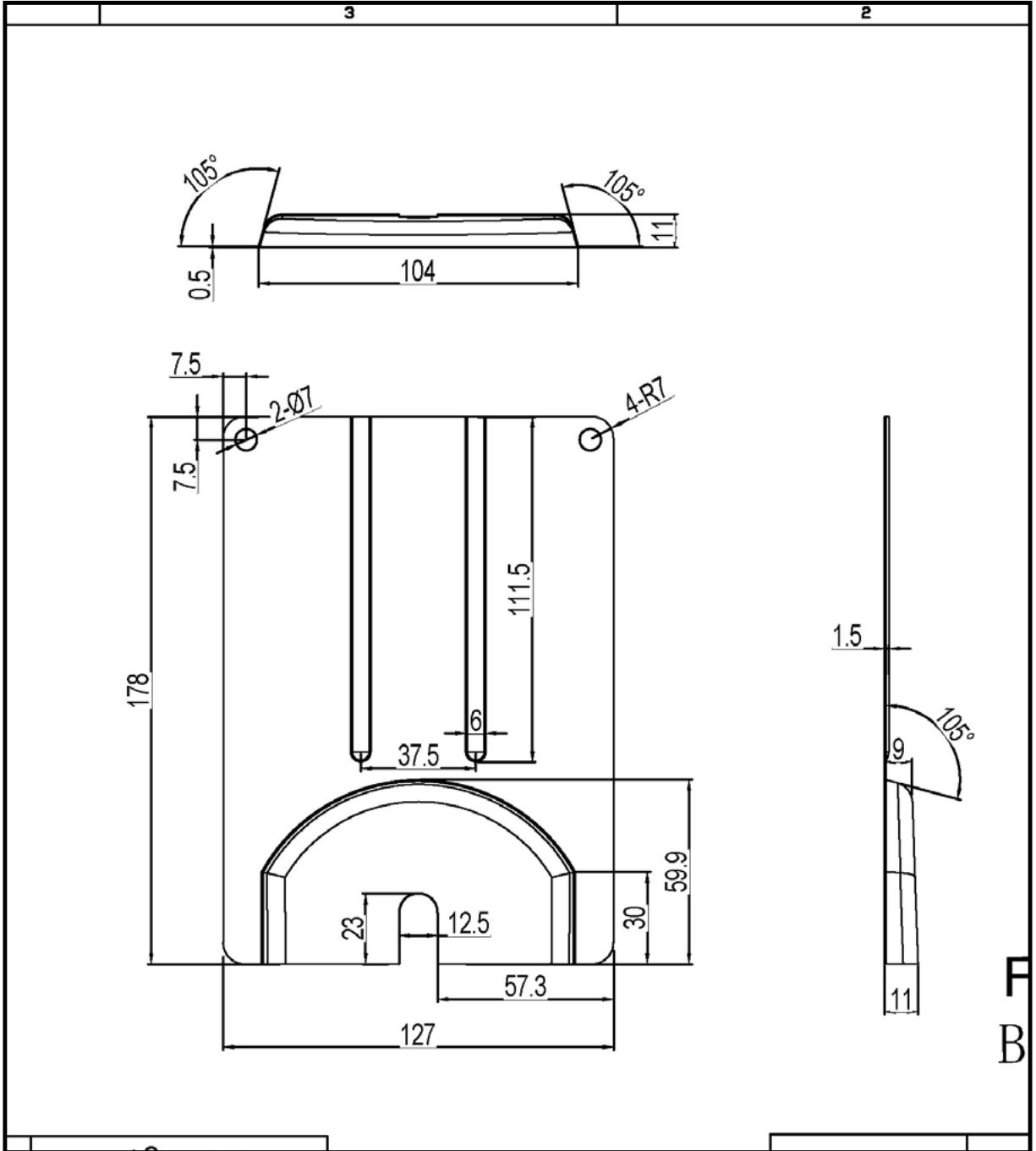


A DIVISION OF QUICKSCREWS INTERNATIONAL CORP

SPEC SHEET

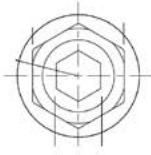
Part #	Box Quantity
17962DF	3" Microflashing® (50); 4" QB2 (50); Black Split Top L-Foot (50); Miniflashing® (50)



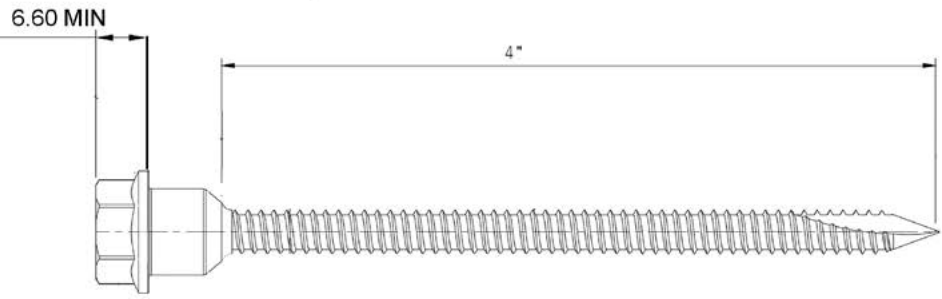


QB2

PN# 17660

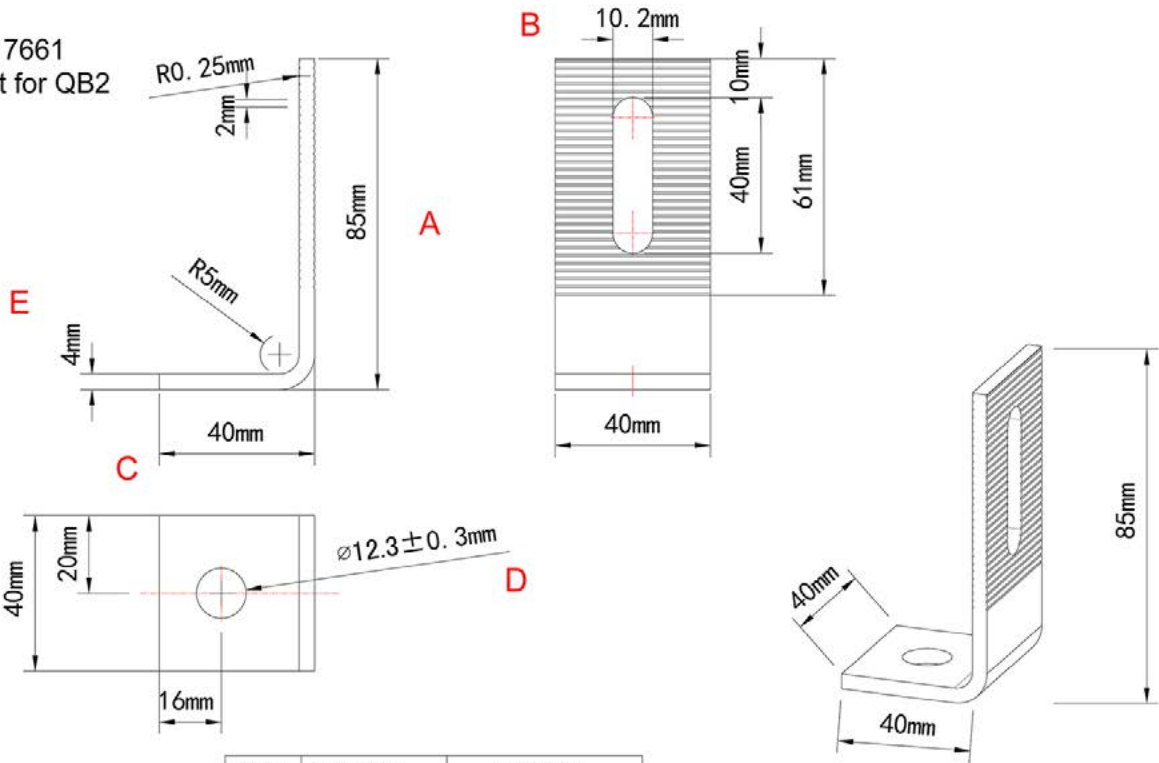


Dual Drive Technology
1/2" Hex Outer Drive
6mm Inner Drive



MATERIAL: Stainless Steel 304				STATUS: Approved
SURFACE TREATMENT: PASSIVATION		NAME:	DATE:	
TOLERANCE: AS PER DRAWING		DRAWN:	MAR. 19'19	DRAWING NO: SL20190316-1
		APPROVED:	MAR. 19'19	
VERSION: 01		FORMAT: A3	Scale: 5:1	SALES:
ISO:		PAGES: 1/1	UNIT: METRIC	

PN# 17661
L-Foot for QB2



Letter	Description	Size/Length
--------	-------------	-------------

Part # 17669

5/16" x 3"
304 Stainless Steel
Compression Washer Black

