

# 17961

## BLACK SPLIT TOP LOW PROFILE L-FOOT FOR QB2 FOR ASPHALT, EPDM, & TPO ROOFS PATENT # 8448407



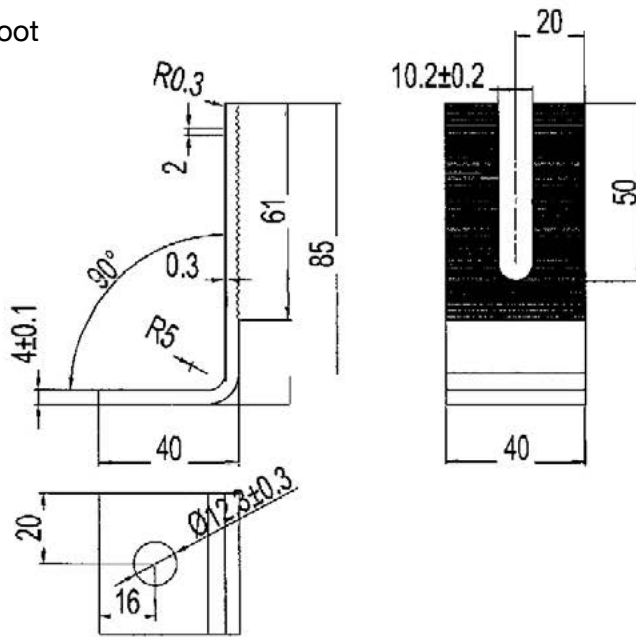
A DIVISION OF QUICKSCREWS INTERNATIONAL CORP

# SPEC SHEET

Part #	Box Quantity
17961	Low Profile Black Split Top L-Foot (25)



PN# 17961  
 Black Split Top L-Foot  
 for QB2



Baiting tolerance	±2 mm
Hole tolerance	±0.5 mm
Hole distance tolerance	±0.5 mm
Form tolerance	±2 mm
Thickness tolerance	±0.1 mm
Angle tolerance	±1°

		Scale	Quantity
Design			
Drawing		17961	Material SUS304
Confirm		Split Top	Drawing No.
Verify			Finish