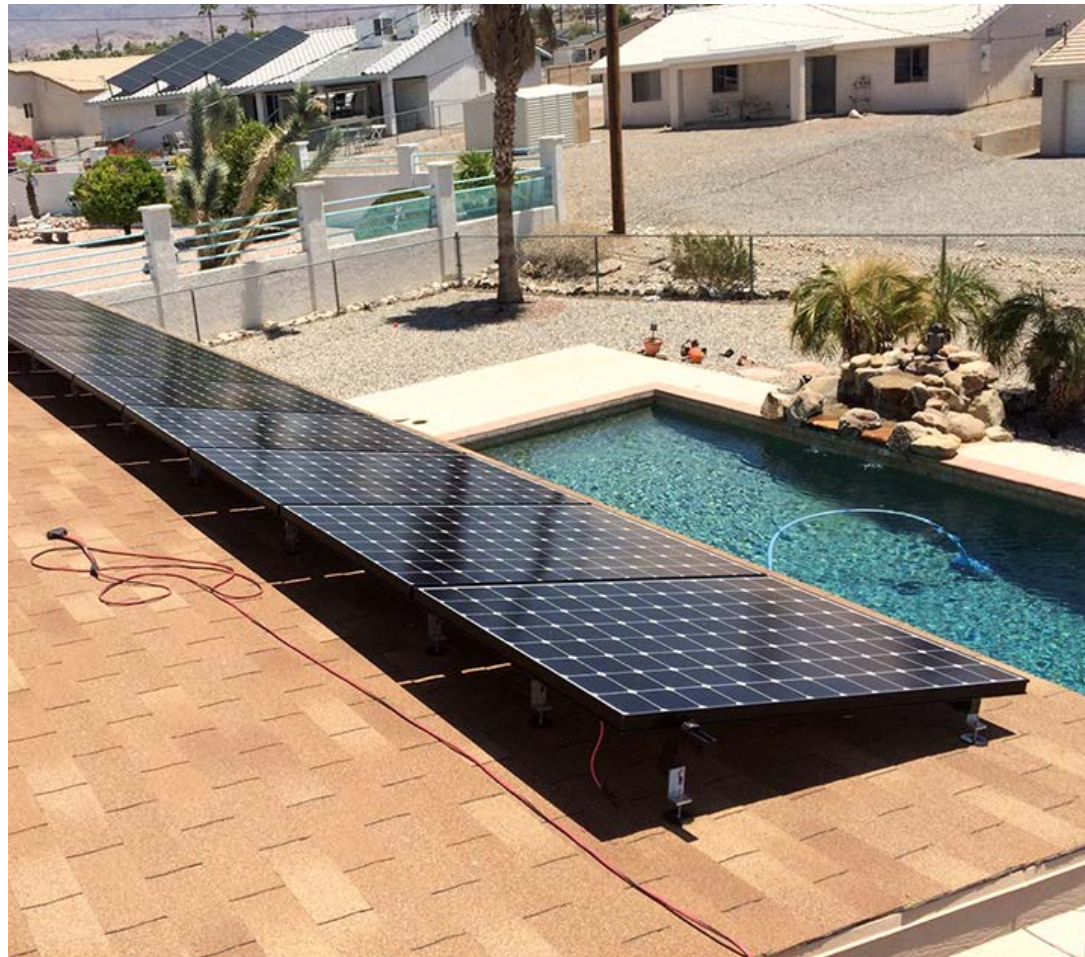


17821

17664, 17666

LOW PROFILE QB1
WITH **BLACK SPLIT L-FOOT** AND **3" MICROFLASHING®**
FOR ASPHALT, EPDM, & TPO ROOFS
PATENT # 8448407



A DIVISION OF QUICKSCREWS INTERNATIONAL CORP

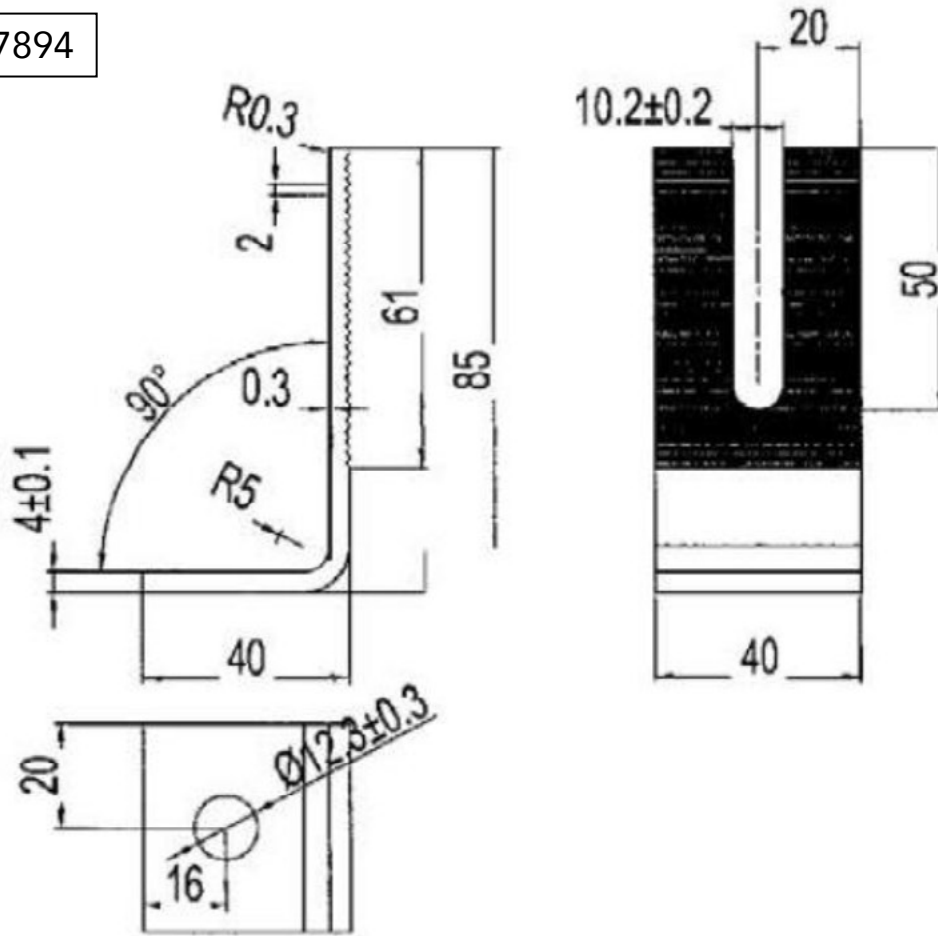
SPEC SHEET

Part #	Box Quantity
17664	5.25" Bolts (10)
17666	3" Microflashing® (10); 5.25" Bolts (10)
17821	3" Microflashing® (20); 5.25" Bolts (20); Black Split L-Foot (20); 5/16" Serrated Hex Flange Nuts (20)



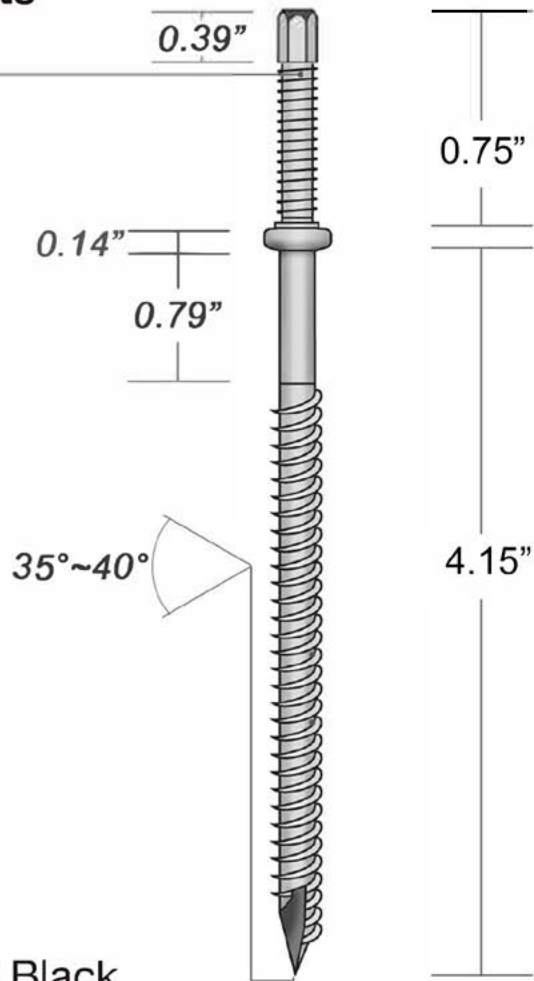


Part # 17894



Part # 17664

5/16-18 X 5.25"
304 Stainless Steel
Removable Hanger Bolts



Part # 17669

5/16" x 3"
304 Stainless Steel
Compression Washer Black

