

17652

17654, 17750, 17751, 17752, 17753

STONE COATED STEEL DIRECT TO DECK HOOK FOR SIDE MOUNT RAILS



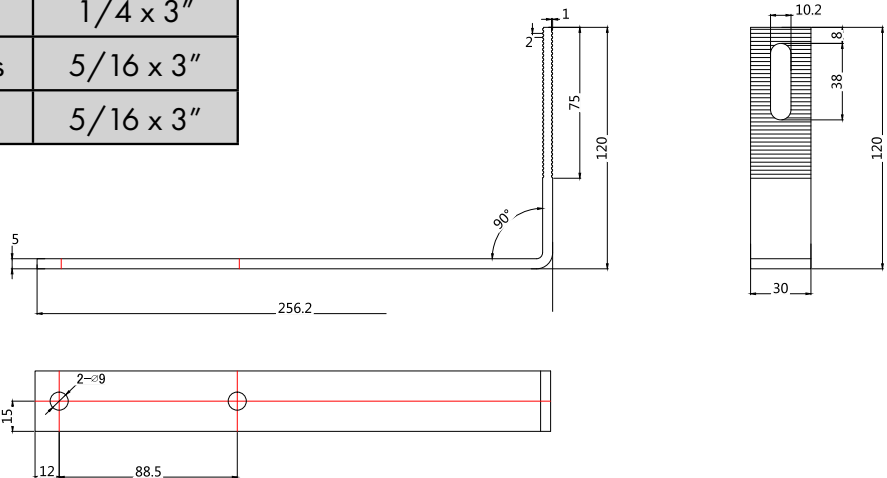
A DIVISION OF QUICKSCREWS INTERNATIONAL CORP

SPEC SHEET



Part #	Box Quantity	Screw Size
17652	50 Hooks	N/A
17654	1 Hook	N/A
17750	50 Hooks + 100 Screws	1/4 x 3"
17751	1 Hook + 2 Screws	1/4 x 3"
17752	50 Hooks + 100 Screws	5/16 x 3"
17753	1 Hook + 2 Screws	5/16 x 3"

Hook Material: Stainless Steel (SUS304)
Hook Finish: Sandblasted



	M	C
<3	±0.1	±0.2
<3-6	±0.1	±0.3
<6-30	±0.2	±0.5
<30-120	±0.3	±0.8
<120-400	±0.5	±1.2
<400-1000	±0.8	±2
<1000-2000	±1.2	±3
<2000-1000	±2	±4

Item				Mark		Verify the Content		Sign		Date	
Appr'D				Ck'D		Proofread		Design		Title	
Sign				MW		MW		MW		Material	
Date				03/31/2021						Scale	
										1:1	
										Qty	
										1PCS	
										View	
										A4	
										QuickBOLT	
										Part No	
										Deg No	
										Height	
										0.45KG	
										Material	
										SUS304	