

# 17747

17748

## THE THRONE - SET SCREW STANDING SEAM METAL



A DIVISION OF QUICKSCREWS INTERNATIONAL CORP

# SPEC SHEET

Part #	Box Quantity
17747	60 Mounts
17748	15 Mounts

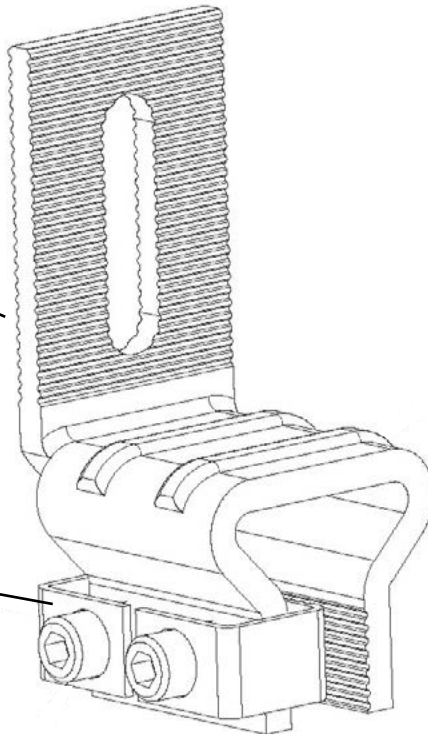


## Integrated L-Foot

Ripples can effectively enhance the pull-out resistance of the L-Foot.

## Grip Plate

Grip Plate with cross-knurling provides extra grip to enhance pull-out resistance and prevents Set Screws from damaging the metal roof.

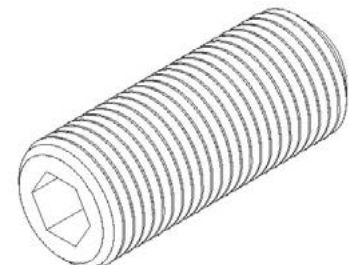
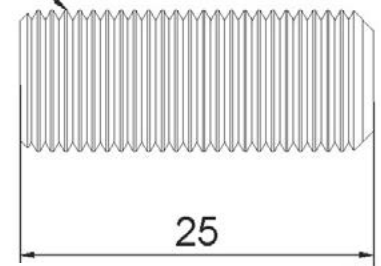
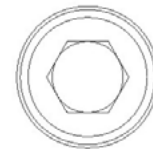


## Set Screw

Material: SUS 304

Come assembled with L-Foot

M10



Tolerance Range					
Tolerance	mm			Scale	Quantity
6-<	±0.1				
6-30	±0.2	Design			
31-120	±0.3	Drawing		Material	
121-400	±0.4	Confirm		Drawing No.	
401-1000	±0.5	Verify			



# SPEC SHEET

