

17734

CONDUIT MOUNTING BRACKET FOR CURVED TILE



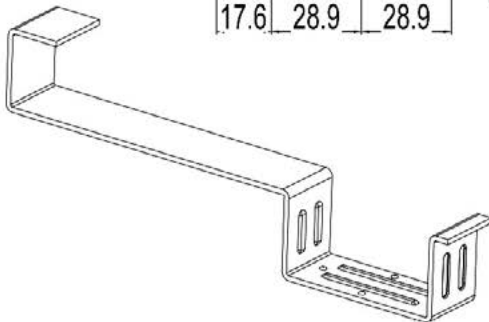
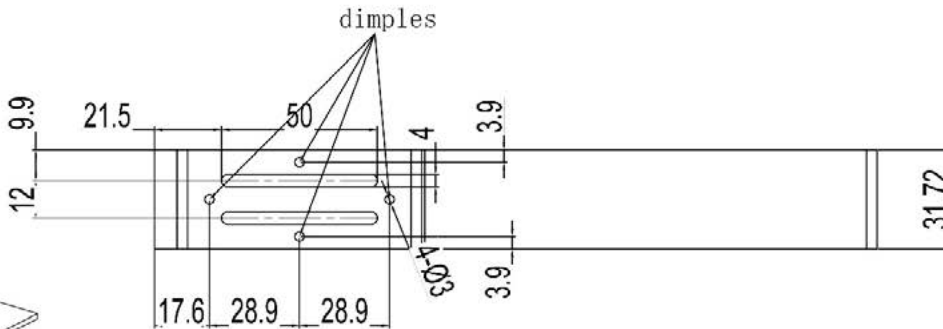
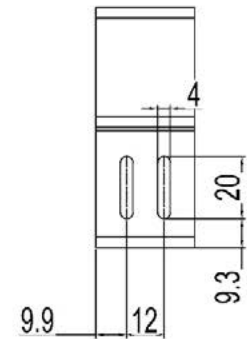
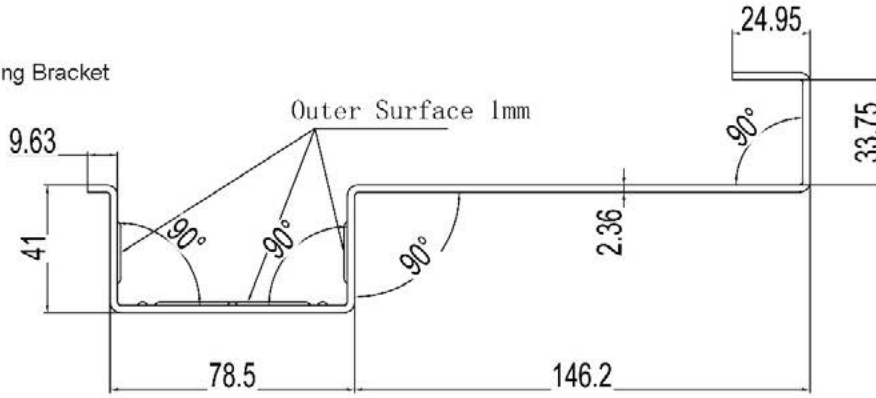
A DIVISION OF QUICKSCREWS INTERNATIONAL CORP

SPEC SHEET

Part #	Box Quantity	Screw Size
17734	60 Brackets	N/A



QuickBOLT
PN# 17734
Conduit Mounting Bracket



Tolerance Range		
Tolerance	mm	
6-<	±0.1	
6-30	±0.2	
31-120	±0.3	
121-400	±0.4	
401-1000	±0.5	



Scale	Quantity
Material	AL5052
Drawing No.	17734
Finish	Natural