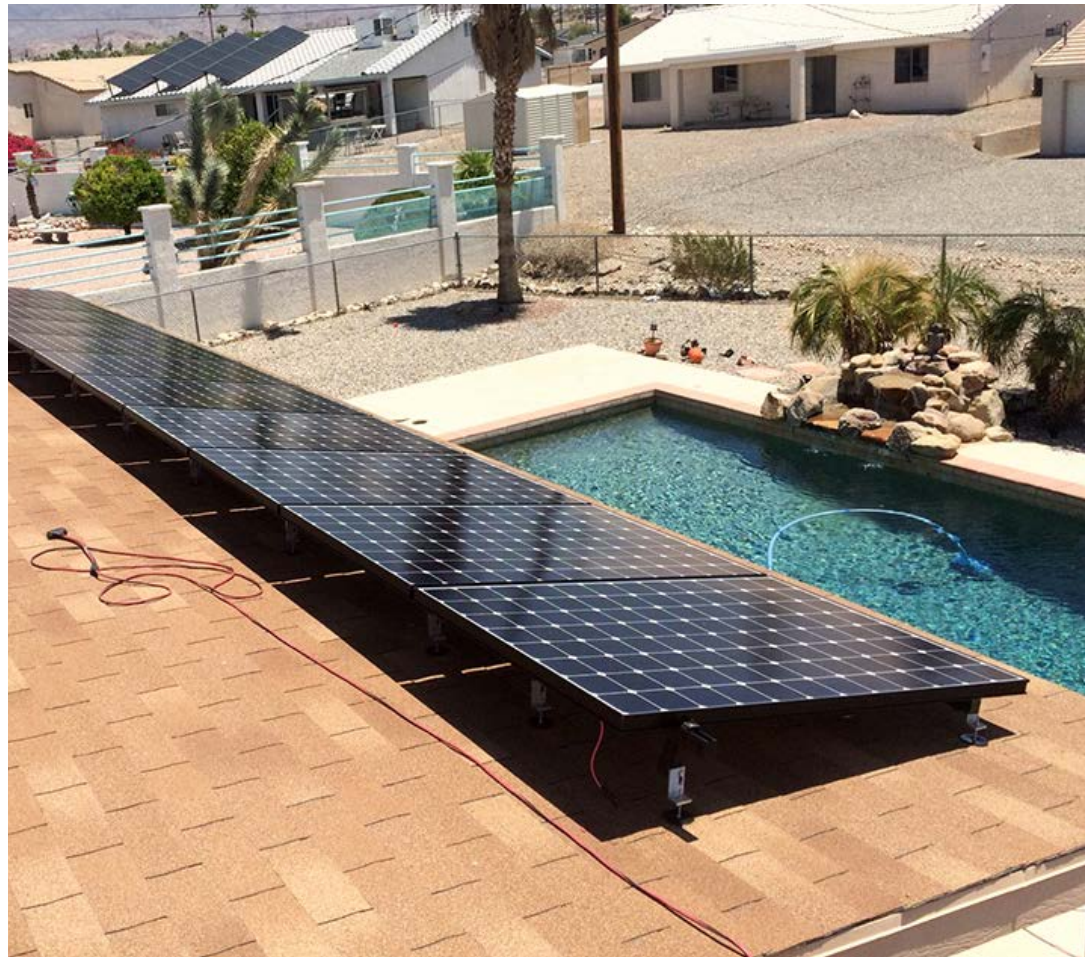


17730SS

17686, 17729

9" QB1 WITH 4" MICROFLASHING®
FOR ASPHALT, EPDM, & TPO ROOFS
PATENT # 8448407



SPEC SHEET

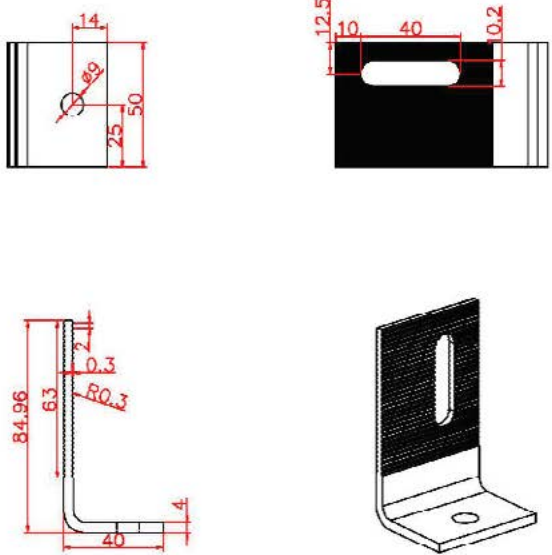
Part #	Box Quantity
17686	9" Bolts (10)
17729	4" Microflashing® (10); 9" Bolts (10)
17730SS	4" Microflashing® (15); 9" Bolts (15); Offset L-Foot (15); 5/16" Serrated Hex Flange Nuts (30)



Microflashing®



15891SS/15891BLKSS	Customer
4mm	

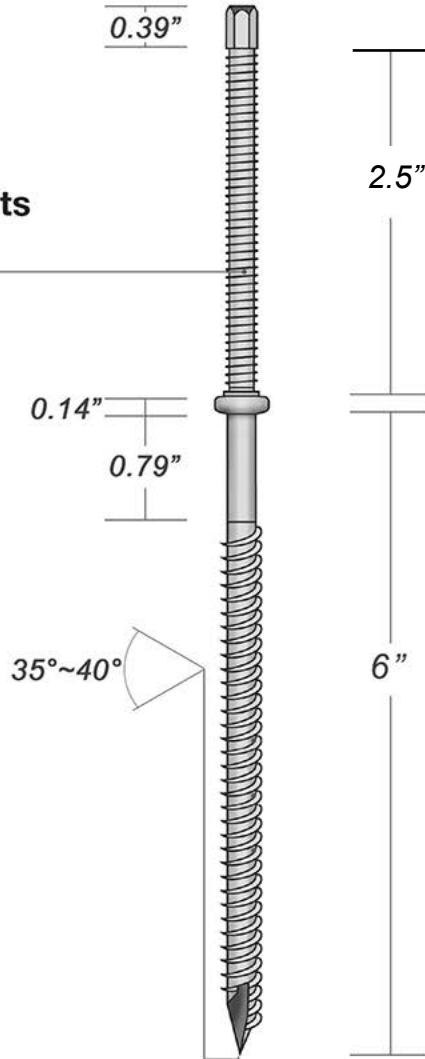


Technical requirement : The dimensions of the hooks are in accordance with the drawings.
Surface smooth, without burr.

Baiting tolerance	± 2 mm	Material:	304SS	Mapper:	
Hole tolerance	± 0.2 mm				
Hole distance tolerance	± 0.5 mm	Date:	2017. 11. 28	Auditor:	
Form tolerance	± 2 mm				
Thickness tolerance	± 0.1 mm				
Angle tolerance	± 1° mm				

Part # 17686

5/16-18 X 9"
304 Stainless Steel
Removable Hanger Bolts



Part # 17659

5/16" x 4"
304 Stainless Steel
Compression Washer Black

