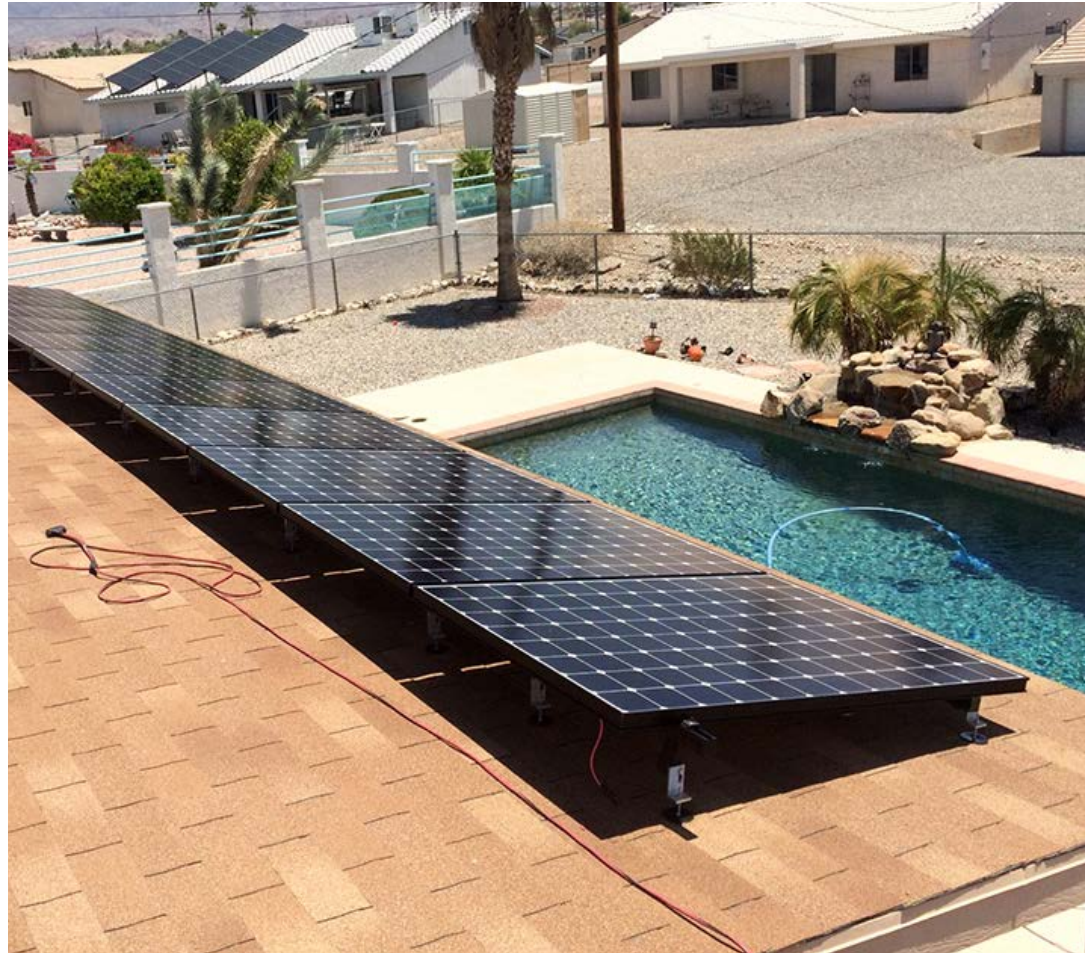


17727SS

17678, 17726

8" QUICKBOLT WITH 4" MICROFLASHING®
FOR ASPHALT SHINGLE ROOFS



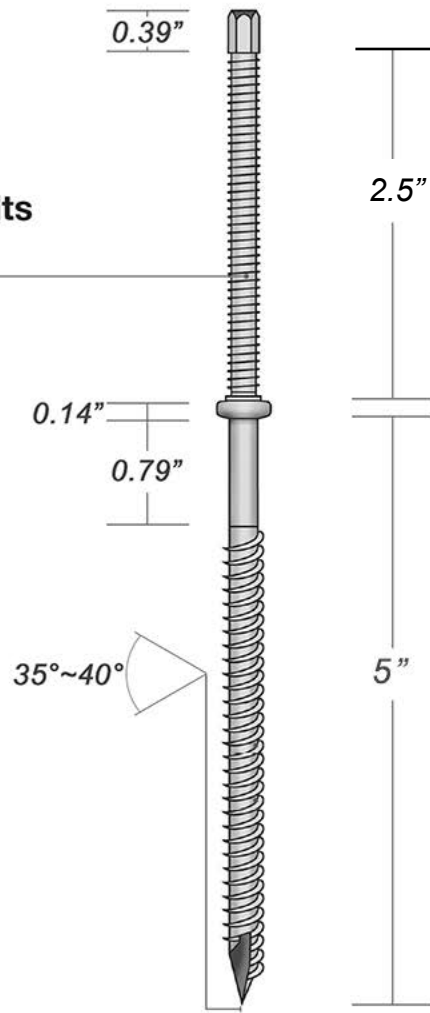
SPEC SHEET

Part #	Box Quantity
17678	8" Bolts (10)
17726	4" Microflashing® (10); 8" Bolts (10)
17727SS	4" Microflashing® (15); 8" Bolts (15); Offset L-Foot (15); 5/16" Serrated Hex Flange Nuts (30)



Part # 17678

5/16-18 X 8"
304 Stainless Steel
Removable Hanger Bolts



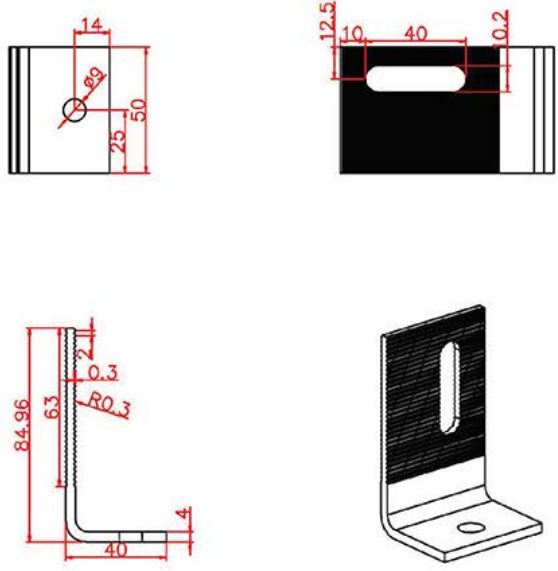
Part # 17659

5/16" x 4"
304 Stainless Steel
Compression Washer Black





15891SS/15891BLKSS	Customer
4mm	



Technical requirement : The dimensions of the hooks are in accordance with the drawings.
Surface smooth, without burr.

Baiting tolerance	± 2 mm	Material:	304SS	Mapper:	
Hole tolerance	± 0.2 mm				
Hole distance tolerance	± 0.5 mm	Date:	2017. 11. 28	Auditor:	
Form tolerance	± 2 mm				
Thickness tolerance	± 0.1 mm				
Angle tolerance	± 1° mm				