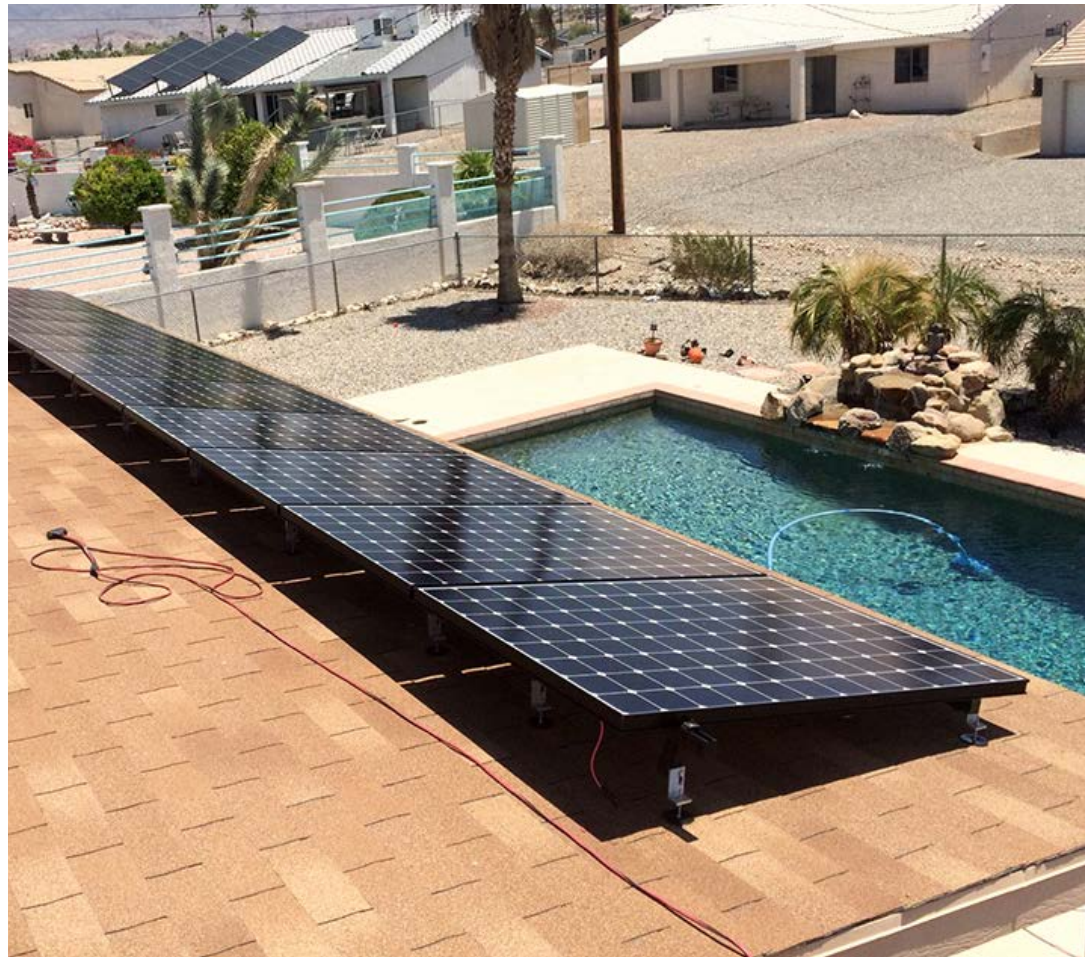


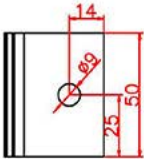
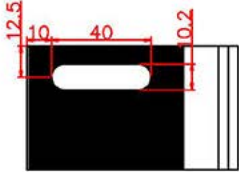
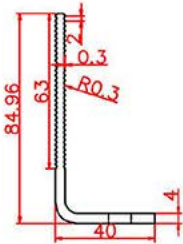
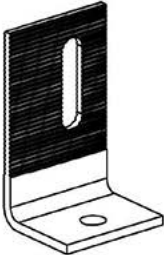
17688SS

17686, 17687

9" QB1 WITH 3" MICROFLASHING®
FOR ASPHALT, EPDM, & TPO ROOFS
PATENT # 8448407





15891SS/15891BLKSS		Customer		
4mm				
 				
 				
Technical requirement : The dimensions of the hooks are in accordance with the drawings. Surface smooth, without burr.				
Baiting tolerance	± 2 mm	Material:	304SS	Mapper:
Hole tolerance	± 0.2 mm			
Hole distance tolerance	± 0.5 mm	Date:	2017. 11. 28	Auditor:
Form tolerance	± 2 mm			
Thickness tolerance	± 0.1 mm			
Angle tolerance	± 1° mm			

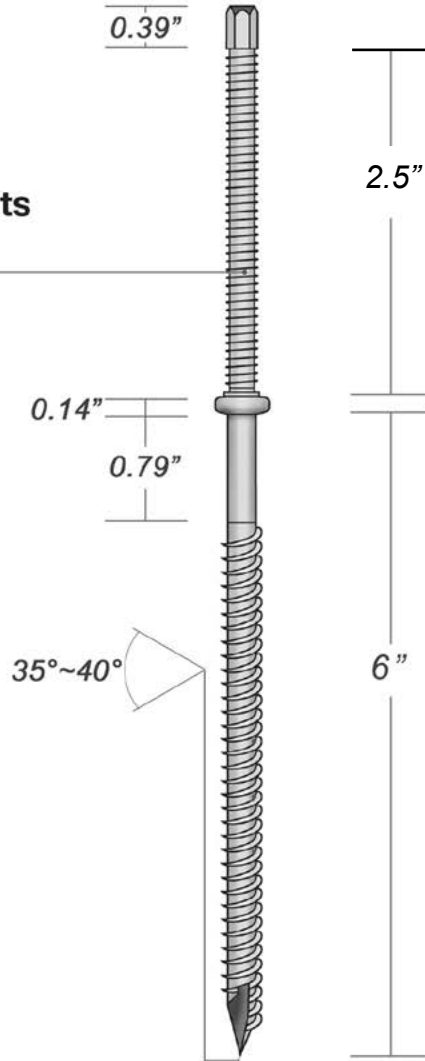
SPEC SHEET

Part #	Box Quantity
17686	9" Bolts (10)
17687	3" Microflashing® (10); 9" Bolts (10)
17688SS	3" Microflashing® (20); 9" Bolts (20); Offset L-Foot (20); 5/16" Serrated Hex Flange Nuts (40)



Part # 17686

5/16-18 X 9"
304 Stainless Steel
Removable Hanger Bolts



Part # 17669

5/16" x 3"
304 Stainless Steel
Compression Washer Black

