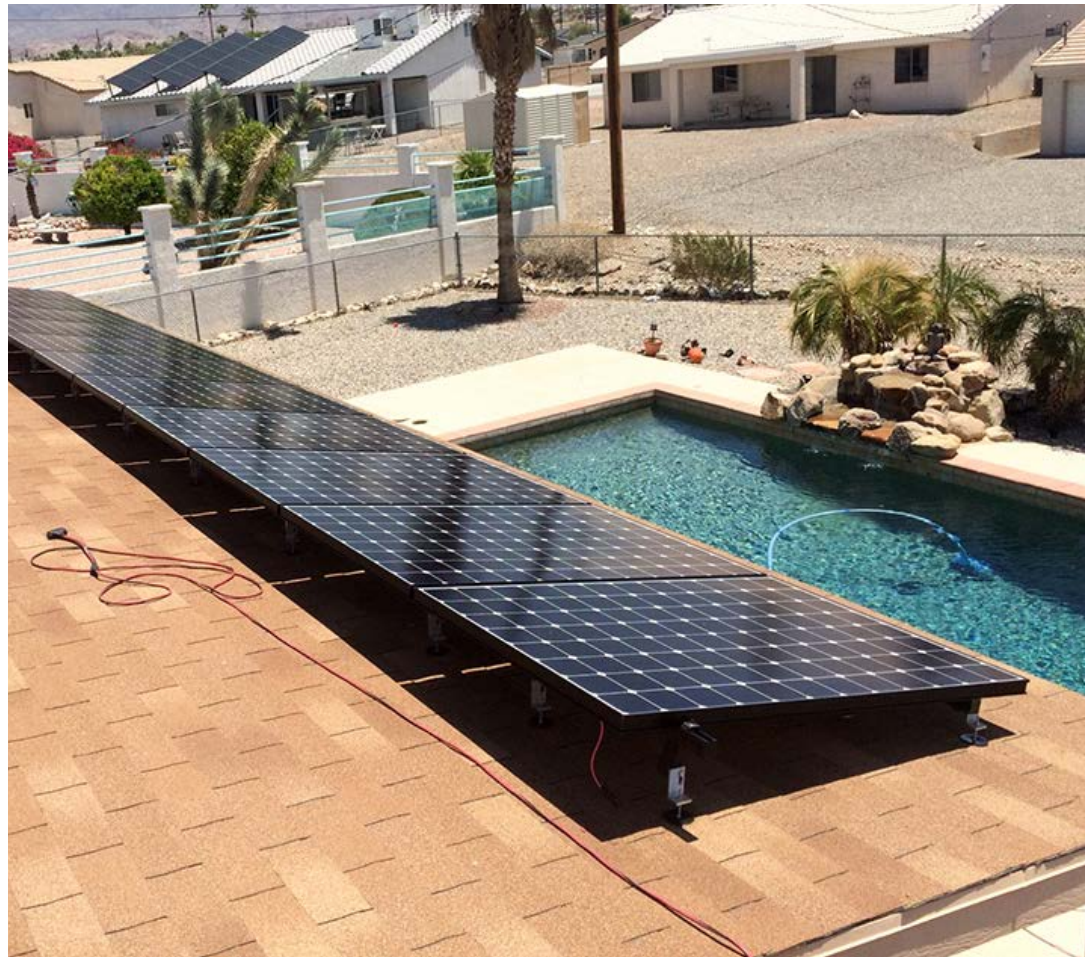


17672SS

17670, 17671

7" QB1 WITH 3" MICROFLASHING®
FOR ASPHALT, EPDM, & TPO ROOFS
PATENT # 8448407



SPEC SHEET

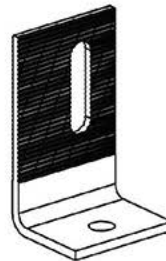
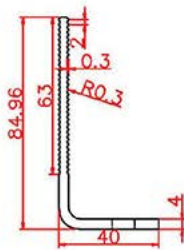
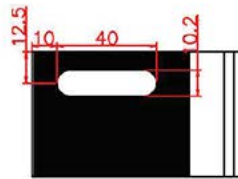
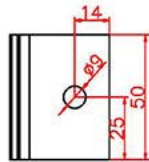
| Part # | Box Quantity |
|---------|---|
| 17670 | 7" Bolts (10) |
| 17671 | 3" Microflashing® (10); 7" Bolts (10) |
| 17672SS | 3" Microflashing® (20); 7" Bolts (20); Offset L-Foot (20); 5/16" Serrated Hex Flange Nuts (40) |





| | |
|--------------------|----------|
| 15891SS/15891BLKSS | Customer |
|--------------------|----------|

4mm

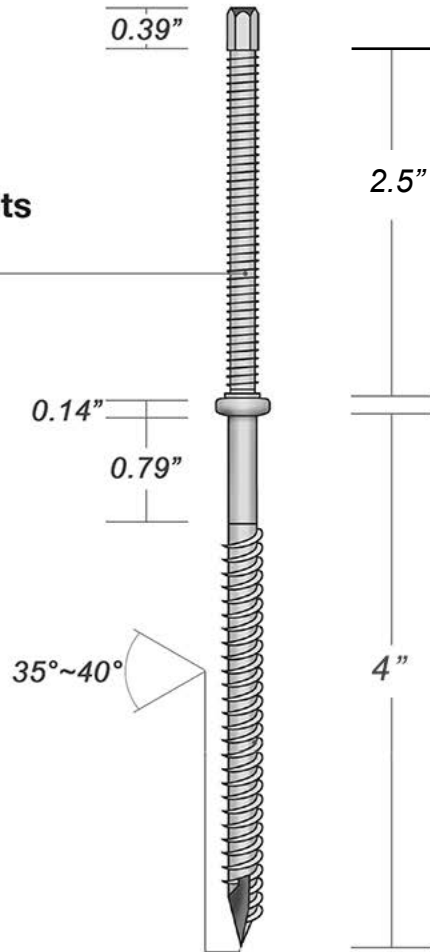


Technical requirement : The dimensions of the hooks are in accordance with the drawings.
Surface smooth, without burr.

| | | | | | |
|-------------------------|----------|-----------|--------------|----------|--|
| Baiting tolerance | ± 2 mm | Material: | 304SS | Mapper: | |
| Hole tolerance | ± 0.2 mm | | | | |
| Hole distance tolerance | ± 0.5 mm | Date: | 2017. 11. 28 | Auditor: | |
| Form tolerance | ± 2 mm | | | | |
| Thickness tolerance | ± 0.1 mm | | | | |
| Angle tolerance | ± 1° | | | | |

Part # 17670

5/16-18 X 7"
304 Stainless Steel
Removable Hanger Bolts



Part # 17669

5/16" x 3"
304 Stainless Steel
Compression Washer Black

