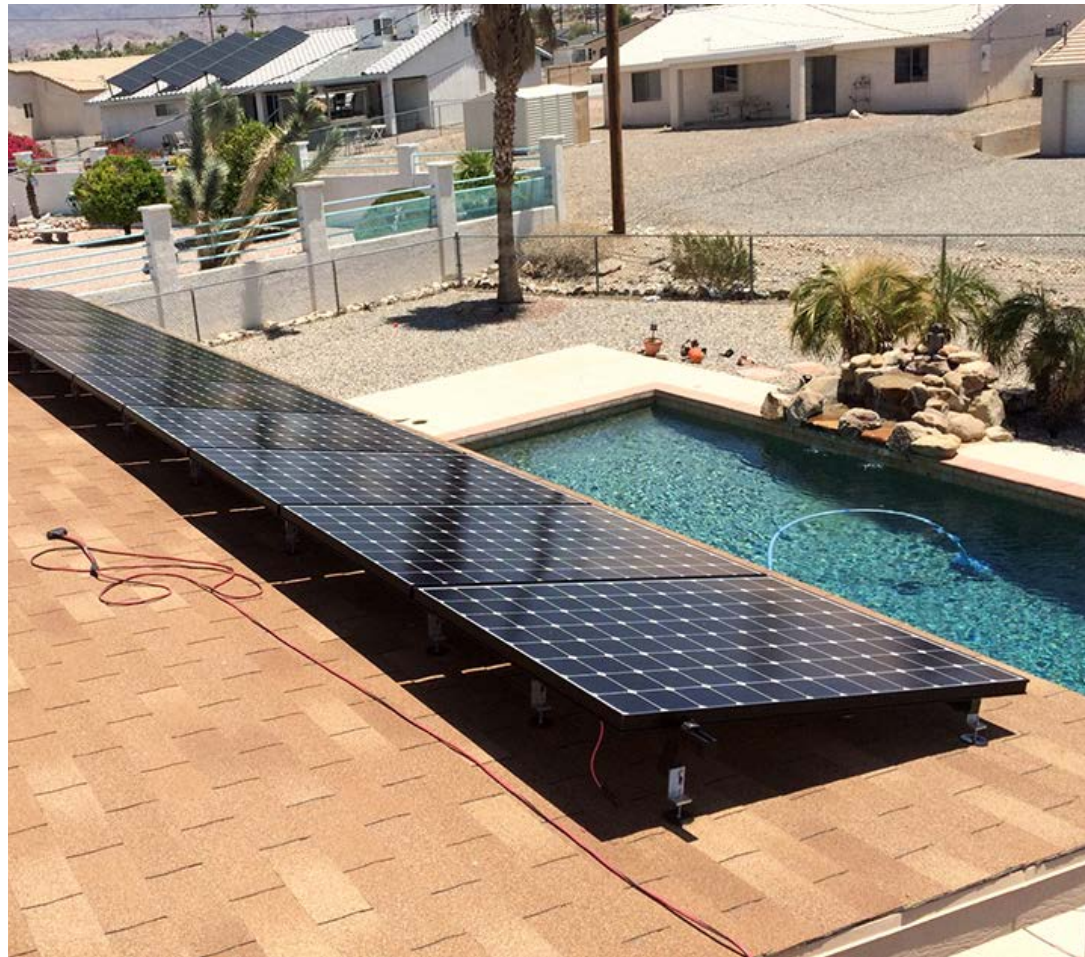


17672SS

17670, 17671

7" QB1 WITH 3" MICROFLASHING®
FOR ASPHALT, EPDM, & TPO ROOFS
PATENT # 8448407



SPEC SHEET

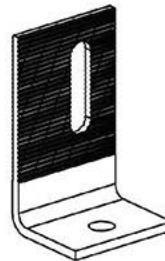
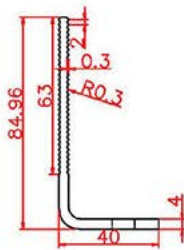
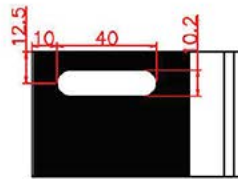
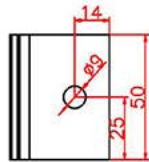
Part #	Box Quantity
17670	7" Bolts (10)
17671	3" Microflashing® (10); 7" Bolts (10)
17672SS	3" Microflashing® (20); 7" Bolts (20); Offset L-Foot (20); 5/16" Serrated Hex Flange Nuts (40)





15891SS/15891BLKSS	Customer
--------------------	----------

4mm

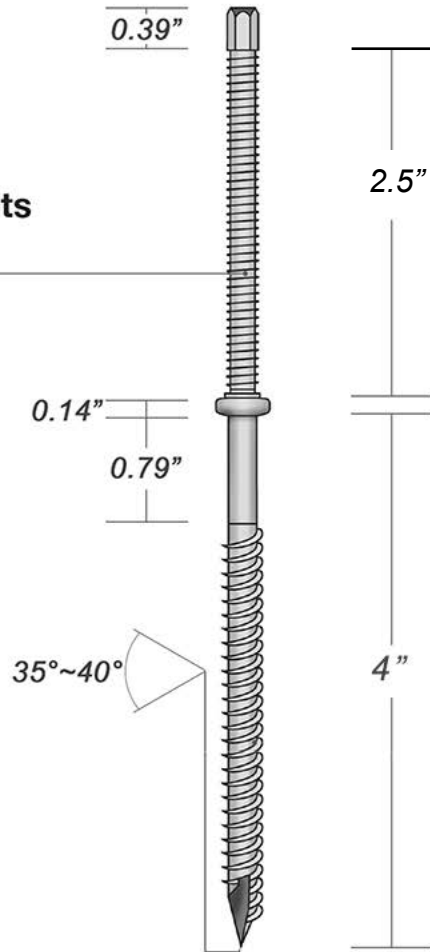


Technical requirement : The dimensions of the hooks are in accordance with the drawings.
Surface smooth, without burr.

Baiting tolerance	± 2 mm	Material:	304SS	Mapper:	
Hole tolerance	± 0.2 mm				
Hole distance tolerance	± 0.5 mm	Date:	2017. 11. 28	Auditor:	
Form tolerance	± 2 mm				
Thickness tolerance	± 0.1 mm				
Angle tolerance	± 1°				

Part # 17670

5/16-18 X 7"
304 Stainless Steel
Removable Hanger Bolts



Part # 17669

5/16" x 3"
304 Stainless Steel
Compression Washer Black

