

17667DF

LOW PROFILE QB1 WITH 3" MICROFLASHING® & MINIFLASHING®
FOR ASPHALT, EPDM, & TPO ROOFS
PATENT # 8448407



A DIVISION OF QUICKSCREWS INTERNATIONAL CORP

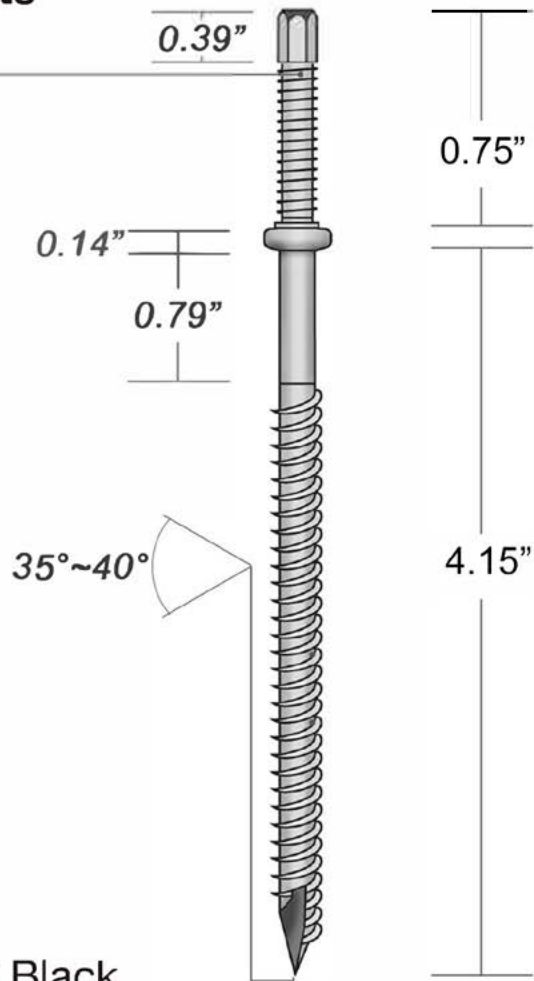
SPEC SHEET

Part #	Box Quantity
17667DF	3" Microflashing® (50); 5.25" Bolts (50); L-Foot (50); 5/16" Serrated Hex Flange Nuts (50); Miniflashing® (50)



Part # 17664

5/16-18 X 5.25"
304 Stainless Steel
Removable Hanger Bolts



Part # 17669

5/16" x 3"
304 Stainless Steel
Compression Washer Black





Natural color/Black		Customer			
15894SS					
15794SS					
4mm Thick					
Technical requirement : The dimensions of the hooks are in accordance with the drawings. Surface smooth, without burr.					
Baiting tolerance	± 2 mm	Material:	304SS	Mapper:	
Hole tolerance	± 0.5 mm				
Hole distance tolerance	± 0.5 mm	Date:	2017. 11. 28	Auditor:	
Form tolerance	± 2 mm				
Thickness tolerance	± 0.1 mm				
Angle tolerance	± 1°				

