

# 17650

17651

## SOLARGRIPZ FOR STANDING SEAM ROOFS



A DIVISION OF QUICKSCREWS INTERNATIONAL CORP

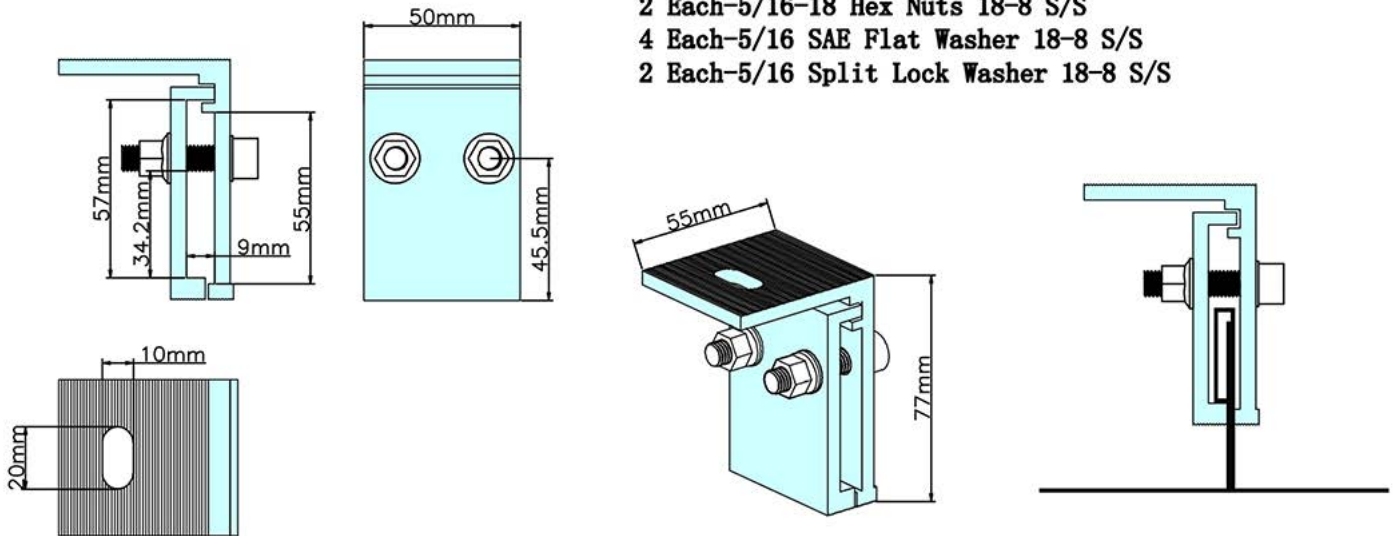
# SPEC SHEET

Part #	Box Quantity
17650	54 Clamps
17651	1 Clamp



**Includes:**

- 2 Each-5/16-18x1-1/2'' Socket Cap Screws 18-8 S/S
- 2 Each-5/16-18 Hex Nuts 18-8 S/S
- 4 Each-5/16 SAE Flat Washer 18-8 S/S
- 2 Each-5/16 Split Lock Washer 18-8 S/S



**Technical requirement :** The dimensions of the hooks are in accordance with the drawings.  
Surface smooth, without burr.

Baiting tolerance	± 2 mm	<b>Material:</b>	Aluminum 6063T6	<b>Mapper:</b>	
Hole tolerance	± 0.5 mm				
Hole distance tolerance	± 0.5 mm	<b>Date:</b>	2016. 11. 12	<b>Auditor:</b>	
Form tolerance	± 2 mm				
Thickness tolerance	± 0.1 mm				
Angle tolerance	± 1° mm				