

17568

17569, 17570, 17571, 17572, 17573

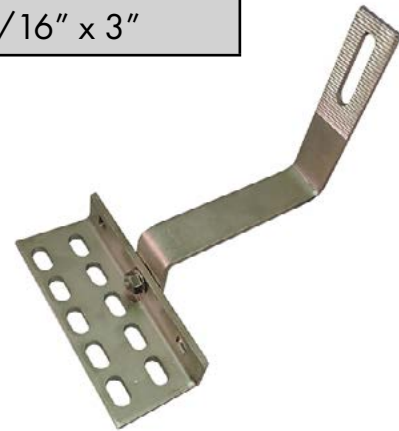
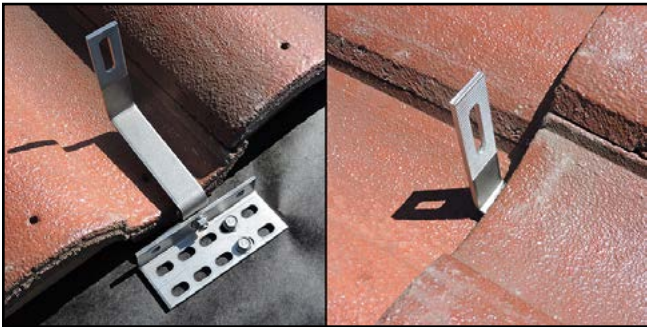
CURVED TILE ROOF HOOK FOR SIDE MOUNT RAILS; ADJUSTABLE



A DIVISION OF QUICKSCREWS INTERNATIONAL CORP

SPEC SHEET

Part #	Box Quantity	Screw Size
17568	10 Hooks	N/A
17569	1 Hook	N/A
17570	10 Hooks; 20 Screws	#14 x 3"
17571	1 Hook; 2 Screws	#14 x 3"
17572	10 Hooks; 20 Screws	5/16" x 3"
17573	1 Hook; 2 Screws	5/16" x 3"



Letter	Description	Size/Length
A	Mounting Screw Slot	9mm x 18mm
B	Rail Slot Size	10mm x 46mm
C	Length of Roof Hook	179.5mm
D	Bottom End to Top End	165.90mm - 173.50mm
E	Thickness	6mm
F	Adjustability Range	42mm - 50mm

Use our #14 or 5/16" Solar Mounting Screws

