

17520

17521, 17522, 17523

CURVED TILE ROOF HOOK FOR SIDE MOUNT RAILS; ADJUSTABLE FOR CLAY TILES



A DIVISION OF QUICKSCREWS INTERNATIONAL CORP

INSTALL INSTRUCTIONS



RECOMMENDED MATERIALS

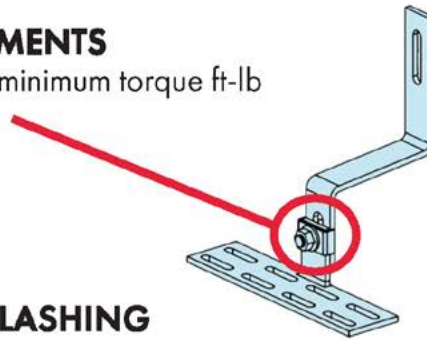
- Rafter locator
- Chalk or crayon
- Drill Bit
- Manufacturer's approved sealant

INSTALLATION INSTRUCTIONS

1. Remove the tiles from the install area
2. Locate and mark the rafters
3. Place the mount and predrill holes
4. Fill the predrilled holes with mfg. approved sealant
5. Drive the Mounting Screws
6. Place the tiles back over the roof mount

TORQUE REQUIREMENTS

M10 Bolt requires 20 minimum torque ft-lb



IF USING GALVA FLASHING

1. Make a cut in the paper
2. Apply sealant to the underside of the Galva Flashing
3. Slide the Flashing underneath the paper or nail down edges
4. Cover the edges of the Galva Flashing with sealant

