

16321

16322

2 1/4" EPDM CONDUIT MOUNT WITH SCREW FOR ASPHALT SHINGLE ROOFS



A DIVISION OF QUICKSCREWS INTERNATIONAL CORP

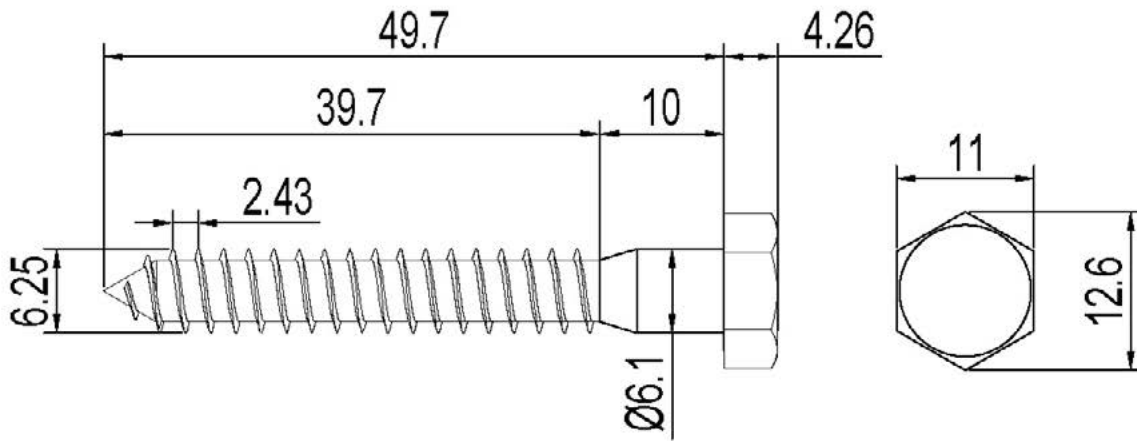
SPEC SHEET

Part #	Box Quantity
16321	2 1/4" x 7/8" thick mount + 1/4" x 2" screw (60/Case)
16322	2 1/4" x 7/8" thick mount + 1/4" x 2" screw (20/PK)



*Includes **Cylinder and Install Screw only**. Machine screw and conduit clip NOT included.

QuickBOLT
 PN# 16321
 Conduit Mount
 Screws



Tolerance Range							
Baiting tolerance	±2 mm						
Hole tolerance	±0.3 mm						
Hole distance tolerance	±0.5 mm	Design		Scale		Quantity	
Form tolerance	±2 mm	Drawing		Material	SUS304		
Thickness tolerance	±0.1 mm	Confirm		Drawing No.			
Angle tolerance	±1° mm	Verify		Finish			

QuickBOLT
 PN# 16321
 Conduit Mount
 EPDM Conduit Block

