

16320

BUTYL BOTTOM BLACK DECK MOUNT FOR ASPHALT, EPDM, & TPO ROOFS



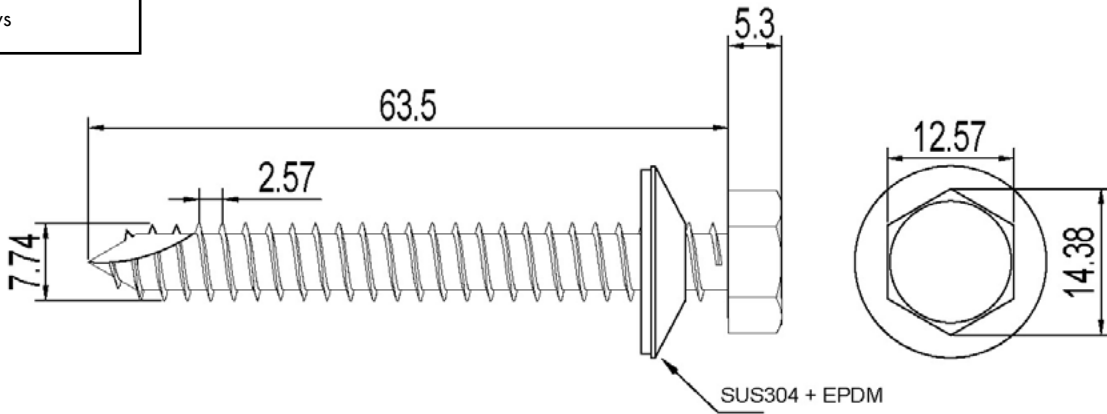
A DIVISION OF QUICKSCREWS INTERNATIONAL CORP

SPEC SHEET

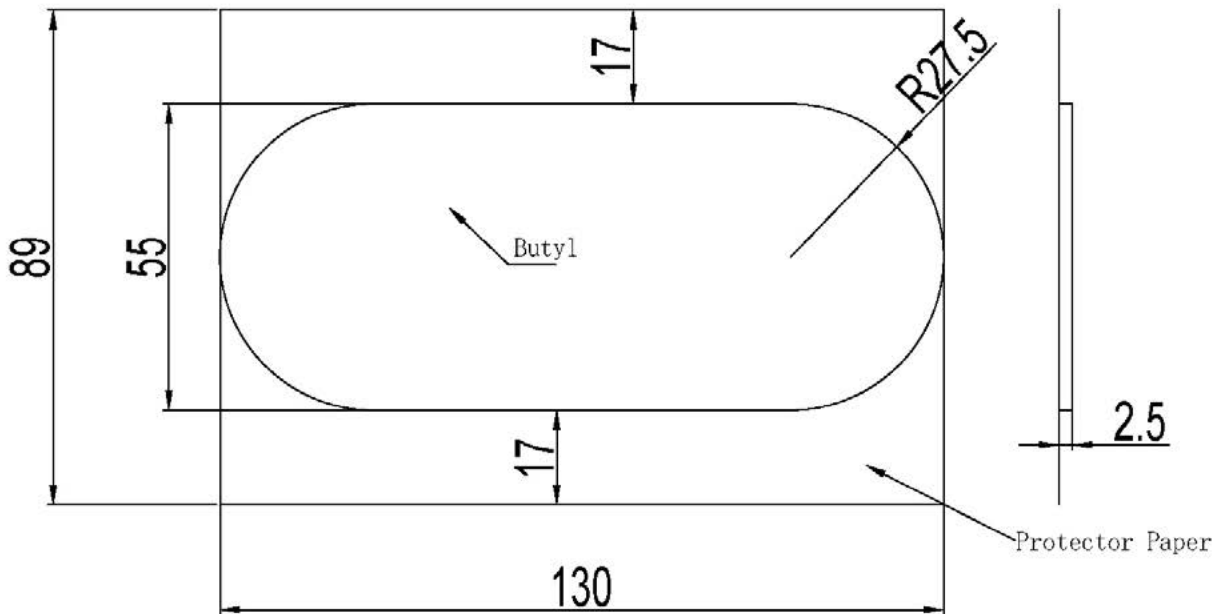
Part #	Box Quantity
16320	36 Black Mounts + 144 Screws w/ EPDM Washers



PN# 16320
Screws



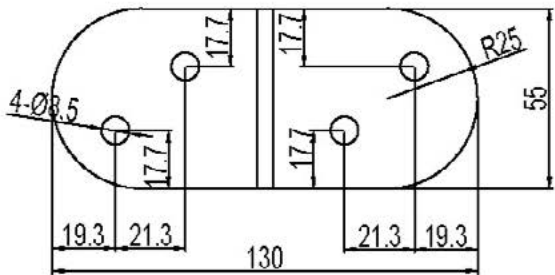
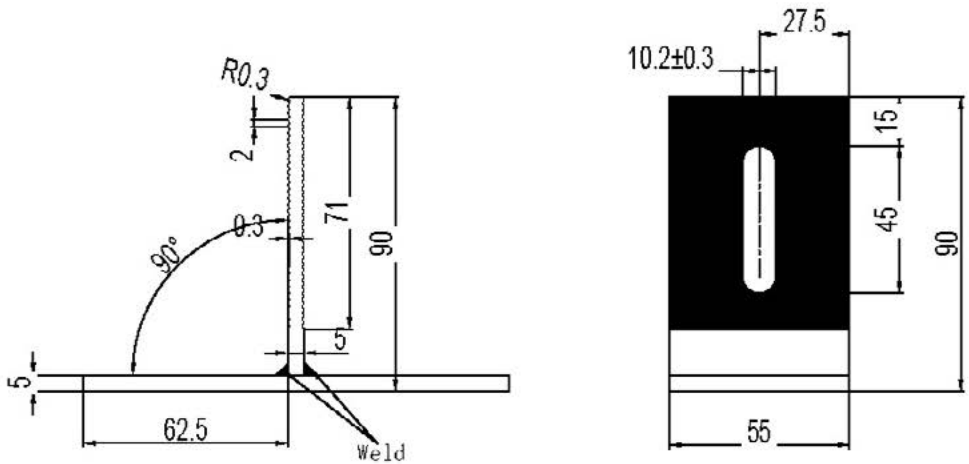
Tolerance Range				QuickBOLT	
Baiting tolerance	±2 mm				
Hole tolerance	±0.3 mm				
Hole distance tolerance	±0.5 mm				
Form tolerance	±2 mm				
Thickness tolerance	±0.1 mm				
Angle tolerance	±1° mm	Design		Scale	Quantity
		Drawing		Material	
		Confirm		Drawing No.	
		Verify		Finish	



Tolerance Range				QuickBOLT	
Baiting tolerance	±2 mm				
Hole tolerance	±0.3 mm				
Hole distance tolerance	±0.5 mm				
Form tolerance	±2 mm				
Thickness tolerance	±0.1 mm				
Angle tolerance	±1° mm	Design		Scale	Quantity
		Drawing		Material	EPDM
		Confirm		Drawing No.	
		Verify		Finish	

PN# 16320
Butyl backing

PN# 16320
Black T-Foot



Tolerance Range						
Baiting tolerance	±2 mm					
Hole tolerance	±0.3 mm					
Hole distance tolerance	±0.5 mm	Design		Scale	Quantity	
Form tolerance	±2 mm	Drawing		Material	SUS304	
Thickness tolerance	±0.1 mm	Confirm				Drawing No.
Angle tolerance	±1° mm	Verify		16319 & 16320	Finish	