

16319

17772

BUTYL BOTTOM DECK MOUNT FOR ASPHALT, EPDM, & TPO ROOFS



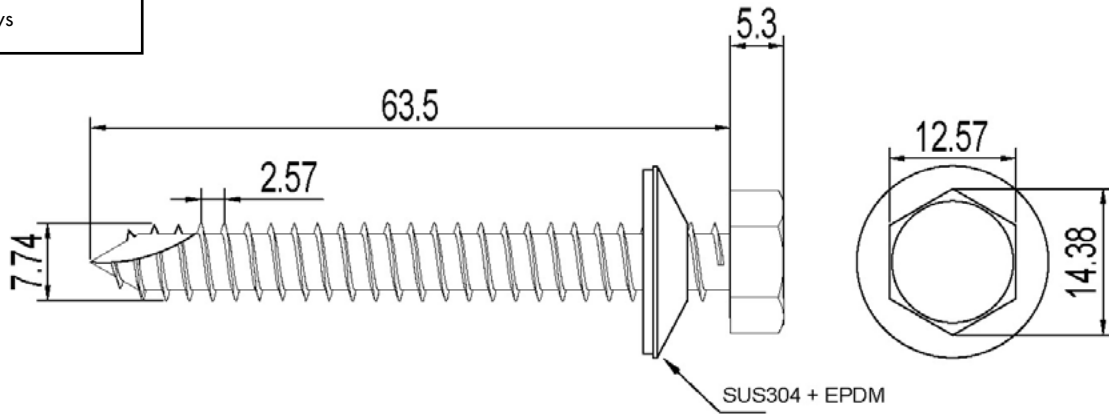
A DIVISION OF QUICKSCREWS INTERNATIONAL CORP

SPEC SHEET

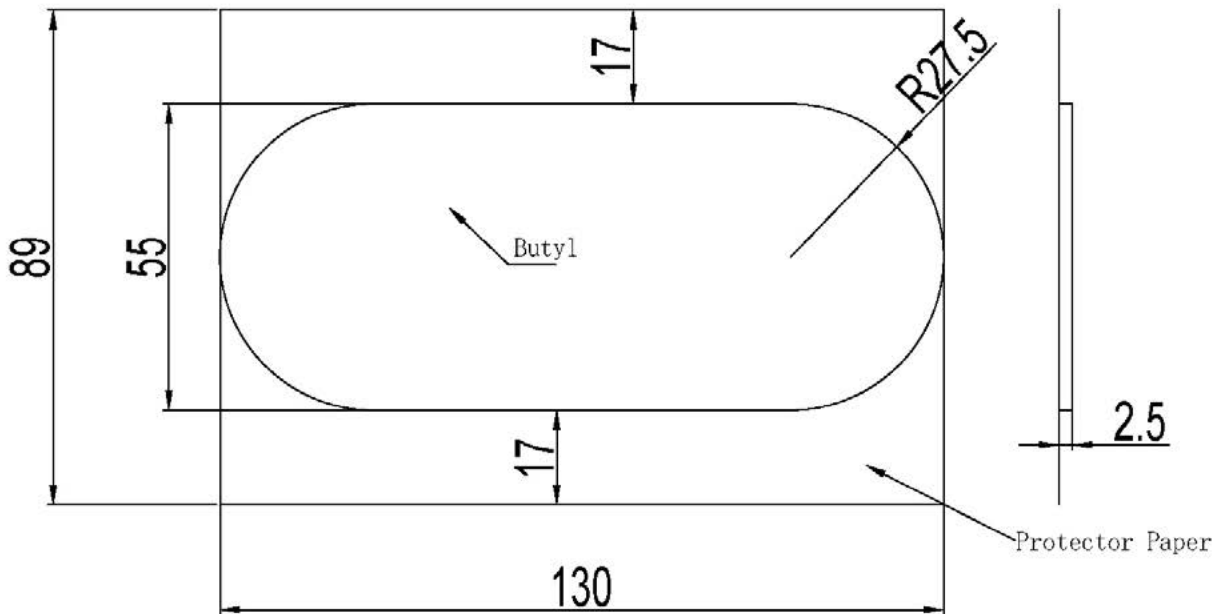
Part #	Box Quantity
16319	36 Mounts + 144 Screws w/ EPDM Washers
17772	36 Mounts with T-Bolt + Nut + 144 Screws w/ EPDM Washers



PN# 16319
Screws



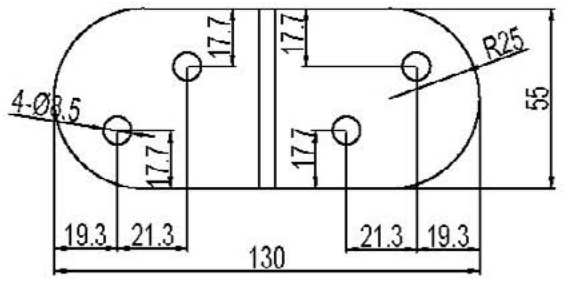
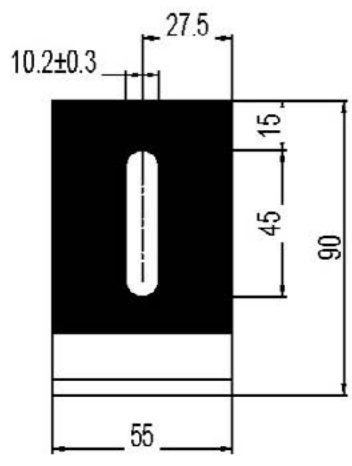
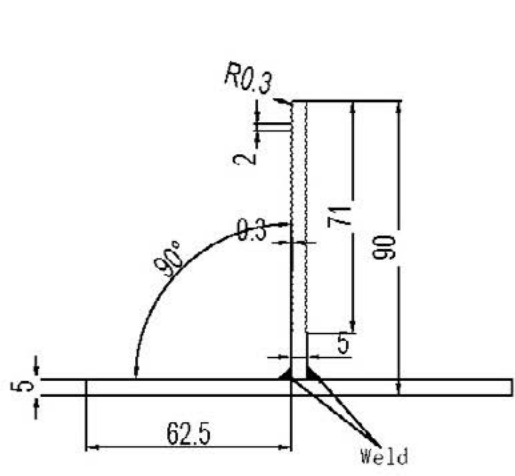
Tolerance Range				QuickBOLT	
Baiting tolerance	±2 mm			Scale	Quantity
Hole tolerance	±0.3 mm			Material	
Hole distance tolerance	±0.5 mm			Drawing No.	
Form tolerance	±2 mm			Finish	
Thickness tolerance	±0.1 mm				
Angle tolerance	±1° mm	Verify			



PN# 16319
Butyl backing

Tolerance Range				QuickBOLT	
Baiting tolerance	±2 mm			Scale	Quantity
Hole tolerance	±0.3 mm			Material	EPDM
Hole distance tolerance	±0.5 mm			Drawing No.	
Form tolerance	±2 mm			Finish	
Thickness tolerance	±0.1 mm				
Angle tolerance	±1° mm	Verify			

PN# 16319
T-Foot



Tolerance Range						
Baiting tolerance	±2 mm					
Hole tolerance	±0.3 mm					
Hole distance tolerance	±0.5 mm	Design		Scale	Quantity	
Form tolerance	±2 mm	Drawing		16319 & 16320	Material	SUS304
Thickness tolerance	±0.1 mm	Confirm			Drawing No.	
Angle tolerance	±1°	Verify			Finish	