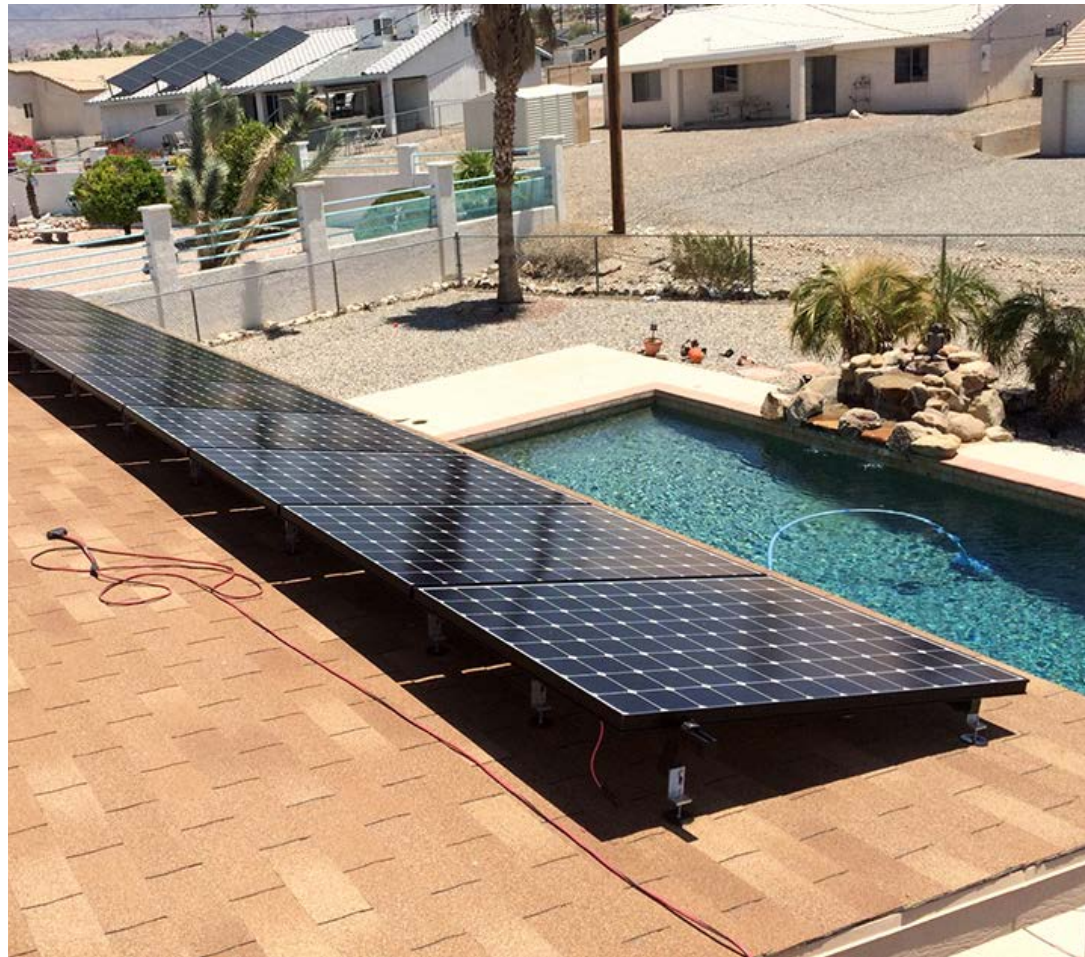


# 16318

BLACK DECK MOUNT  
FOR ASPHALT, EPDM, & TPO ROOFS



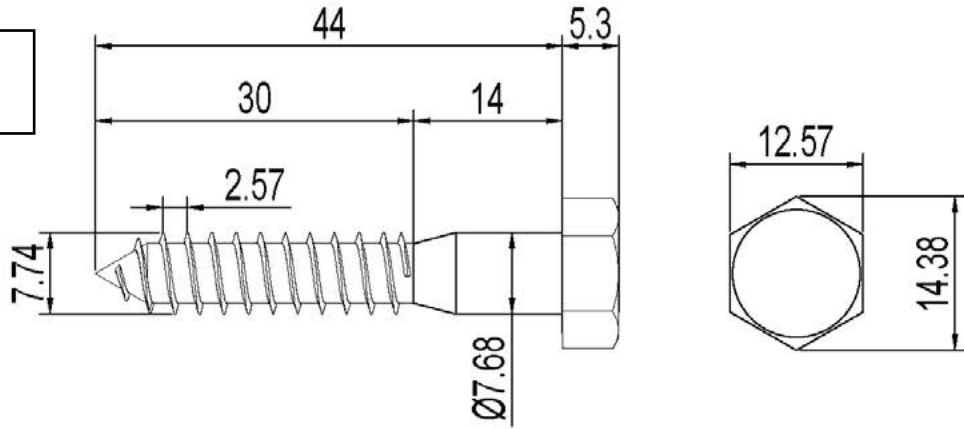
A DIVISION OF QUICKSCREWS INTERNATIONAL CORP


# SPEC SHEET

Part #	Box Quantity
16318	36 Black Mounts + 144 Screws w/Umbrella Washers

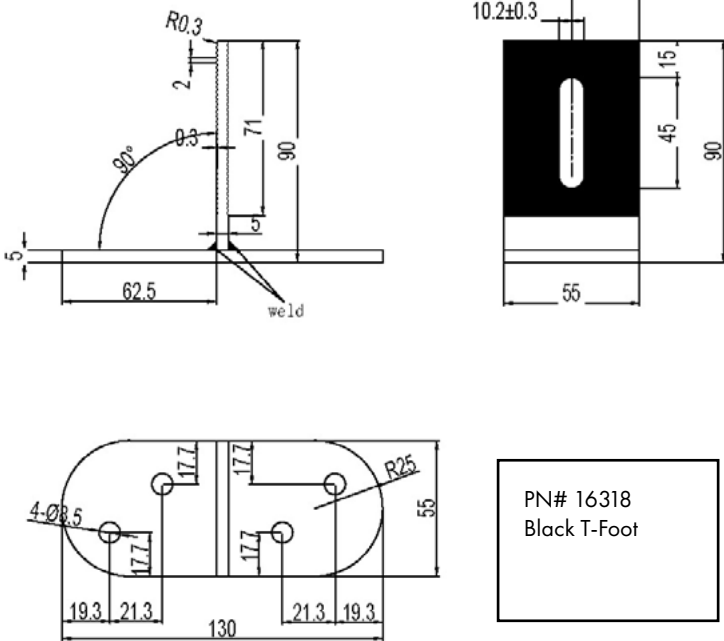
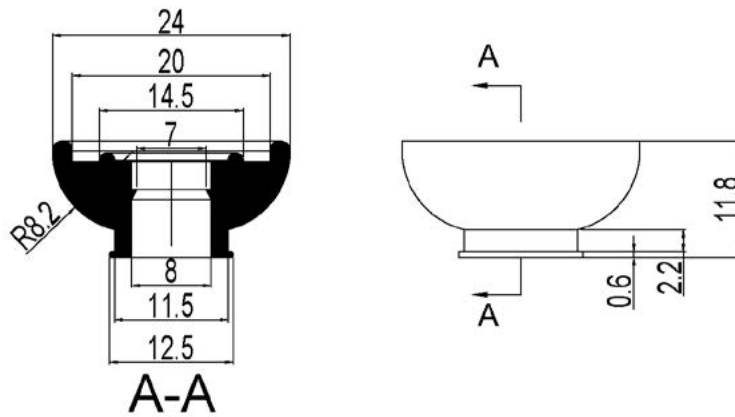


PN# 16318  
Screws



Tolerance Range		QuickBOLT	
Baiting tolerance	±2 mm		
Hole tolerance	±0.3 mm		
Hole distance tolerance	±0.5 mm	Design	Scale
Form tolerance	±2 mm	Drawing	Material
Thickness tolerance	±0.1 mm	Confirm	Drawing No.
Angle tolerance	±1°	Verify	Finish
			Quantity
			SUS304

PN# 16318  
Umbrella Washer



PN# 16318  
Black T-Foot

PN# 16318  
Silicone backing

