

# 16317

DECK MOUNT  
FOR ASPHALT, EPDM, & TPO ROOFS



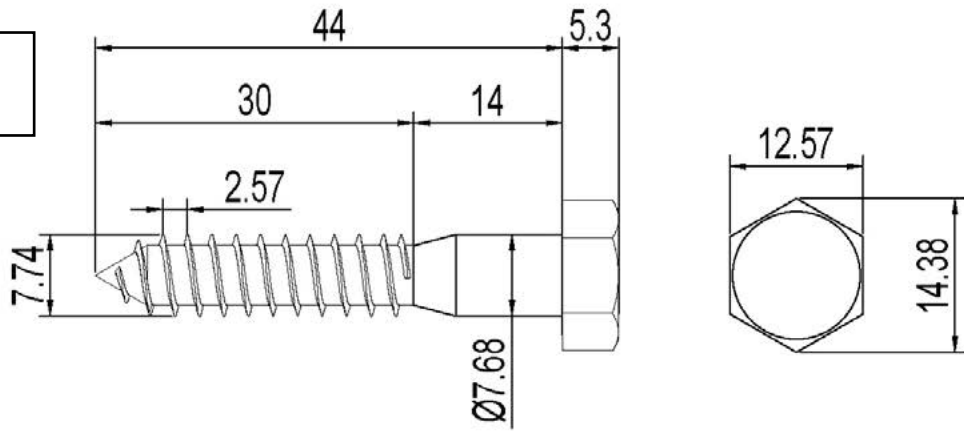
A DIVISION OF QUICKSCREWS INTERNATIONAL CORP

# SPEC SHEET

Part #	Box Quantity
16317	36 Mounts + 144 Screws w/Umbrella Washers

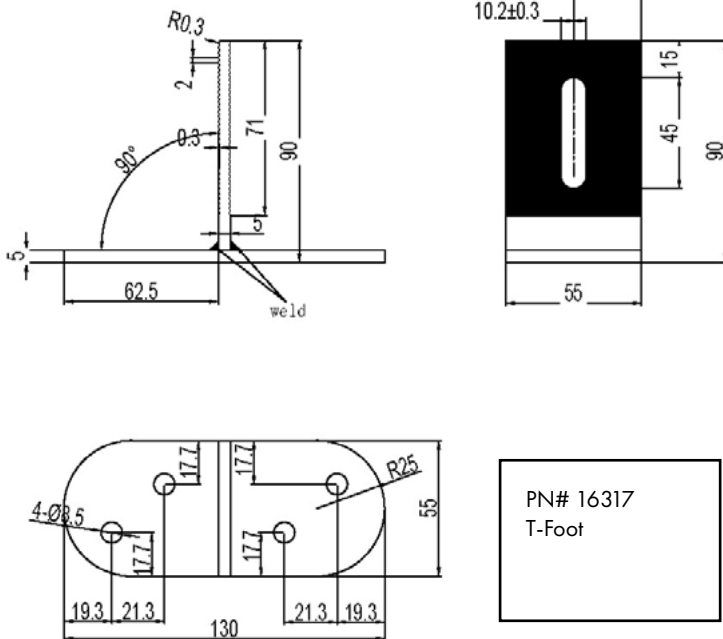
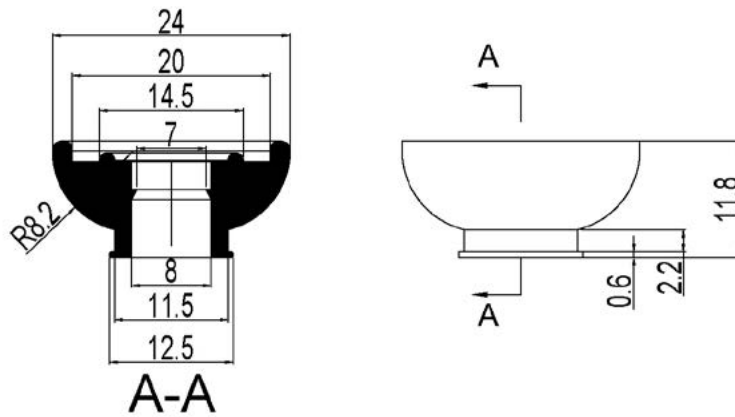


PN# 16317  
Screws



Tolerance Range		QuickBOLT				
Baiting tolerance	$\pm 2$ mm				Scale	Quantity
Hole tolerance	$\pm 0.3$ mm					
Hole distance tolerance	$\pm 0.5$ mm	Design			Material	SUS304
Form tolerance	$\pm 2$ mm	Drawing			Drawing No.	
Thickness tolerance	$\pm 0.1$ mm	Confirm			Finish	
Angle tolerance	$\pm 1^\circ$ mm	Verify				

PN# 16317  
Umbrella Washer



PN# 16317  
T-Foot

PN# 16317  
Silicone backing

