

16268

BLACK SPLIT TOP METAL MOUNT KIT FOR METAL ROOFS



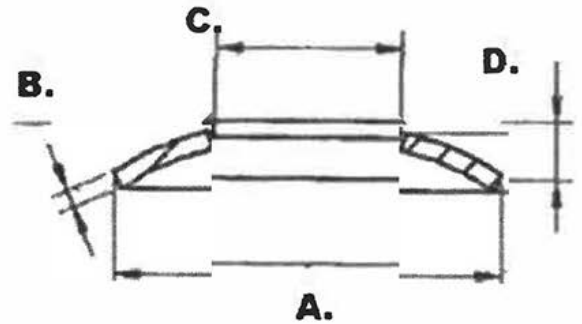
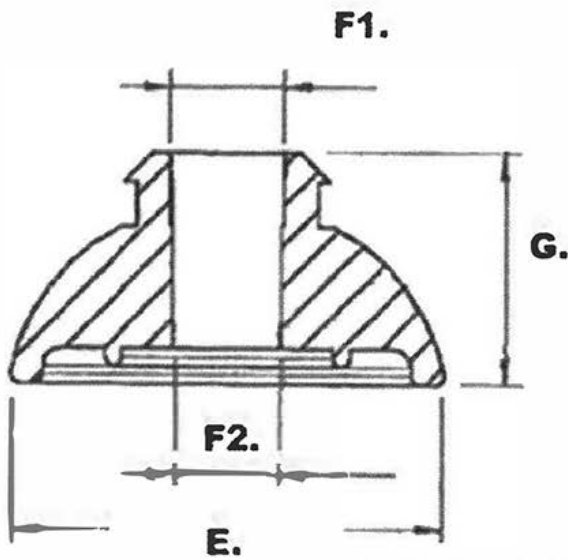
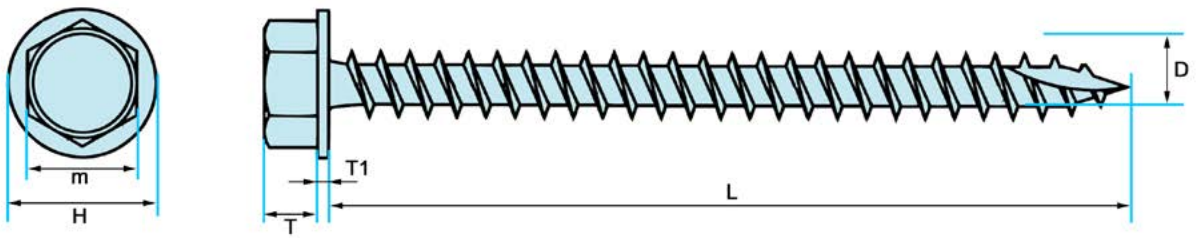
A DIVISION OF QUICKSCREWS INTERNATIONAL CORP

SPEC SHEET

Part #	Box Quantity	Screw Size
16268	HWH-T17 304 Screws (20); Umbrella Washers (20); Black Split Top L-Foot (20)	5/16" x 3 1/2"



Size	H	m	T	T1	D	PH	Thread Length	L
5/16" x 3-1/2"	15.84mm - 17.17mm	12.42mm - 12.70mm	5.28mm - 5.84mm	0.88mm - 1.40mm	7.57mm - 8.23mm	9 threads per in.	Full Thread	87.85mm - 89.85mm



PN# 16261
Umbrella Washer 8mm x 25mm

Part # 17894

