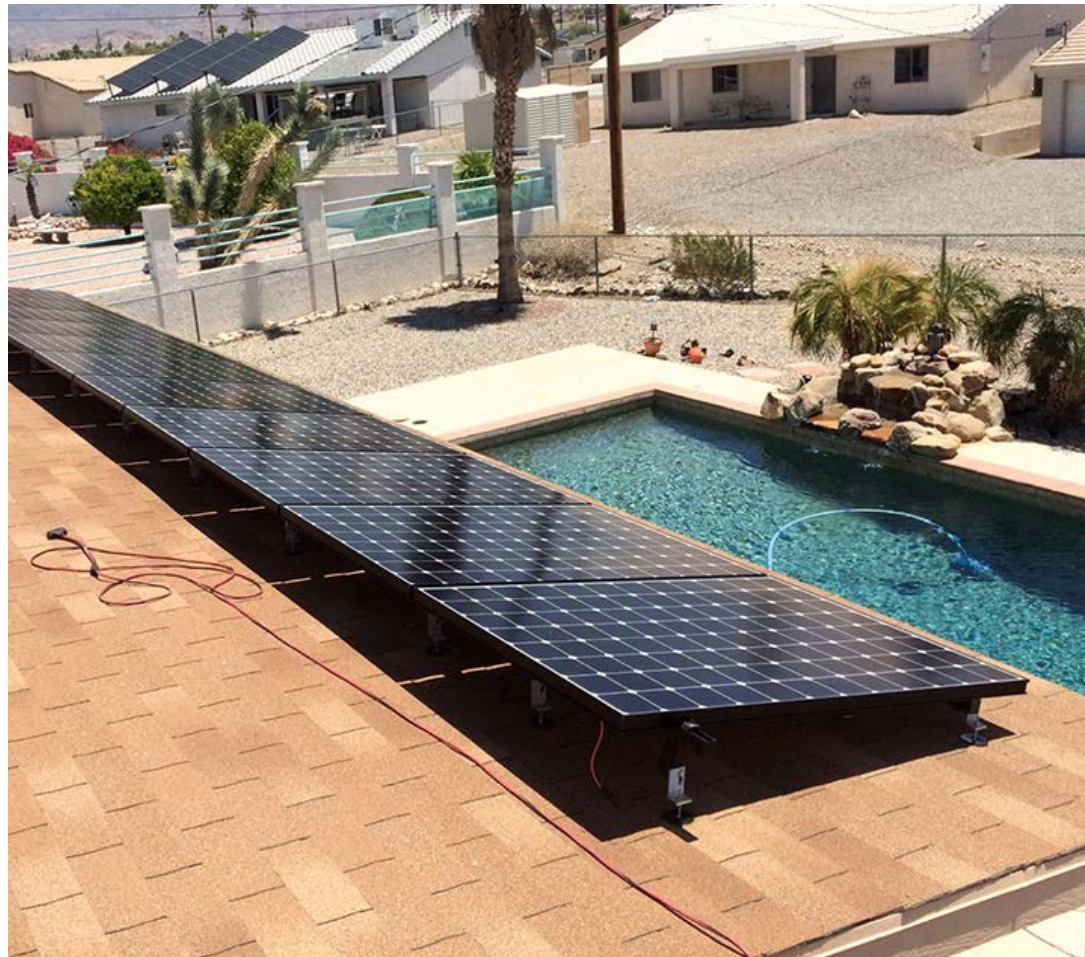


15894SS

STAINLESS STEEL LOW PROFILE L-FOOTQB1 FOR QB1
FOR ASPHALT, EPDM, & TPO ROOFS
PATENT # 8448407



A DIVISION OF QUICKSCREWS INTERNATIONAL CORP

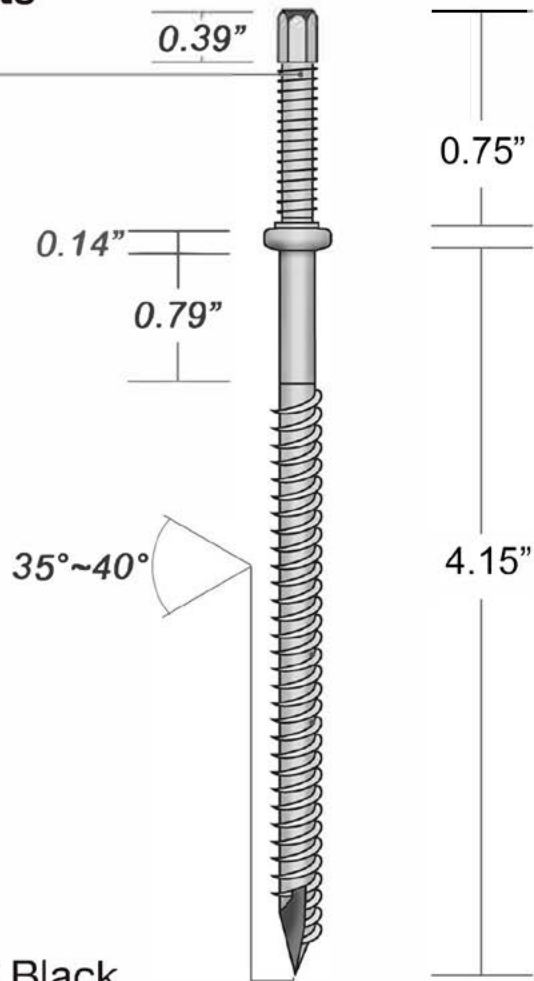
SPEC SHEET

Part #	Box Quantity
15894SS	Low Profile L-Foot (25)



Part # 17664

5/16-18 X 5.25"
304 Stainless Steel
Removable Hanger Bolts



Part # 17669

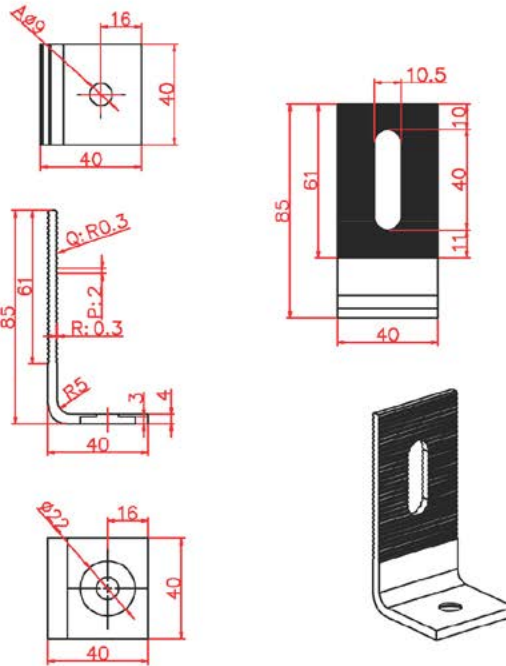
5/16" x 3"
304 Stainless Steel
Compression Washer Black





Natural color/Black	Customer
15894SS	
15794SS	

4mm Thick



Technical requirement : The dimensions of the hooks are in accordance with the drawings.
Surface smooth, without burr.

Baiting tolerance	± 2 mm	Material:	304SS	Mapper:	
Hole tolerance	± 0.5 mm				
Hole distance tolerance	± 0.5 mm	Date:	2017. 11. 28	Auditor:	
Form tolerance	± 2 mm				
Thickness tolerance	± 0.1 mm				
Angle tolerance	± 1°				