

# 15890

## GALVA FLASHING FOR WIDE BASED HOOKS CURVED TILE & ALL TILE



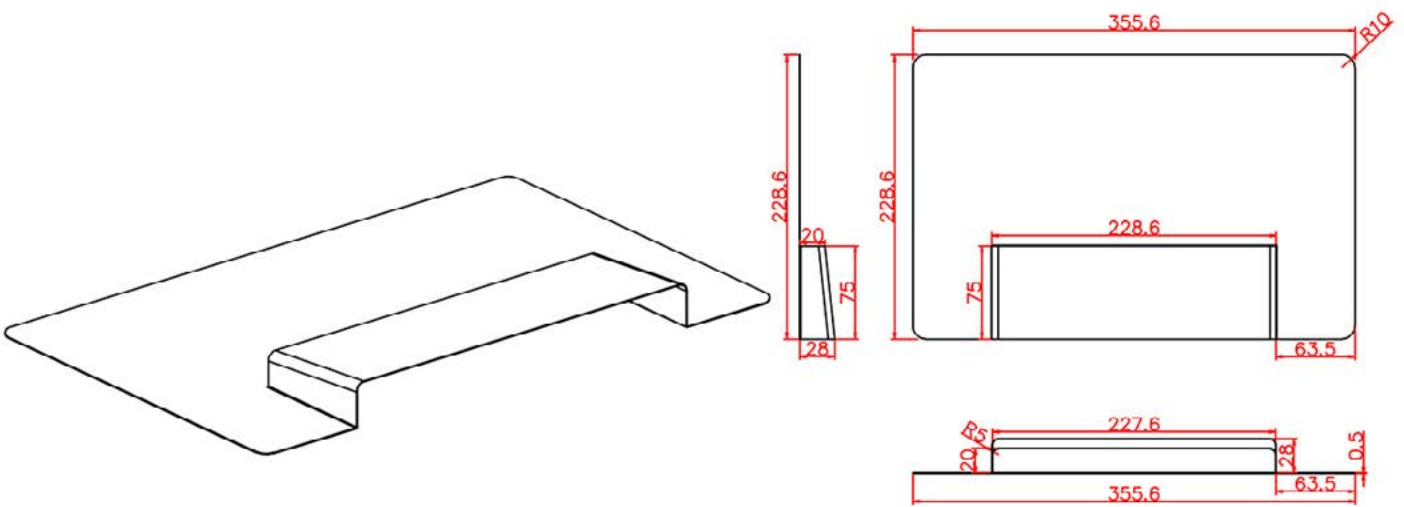
A DIVISION OF QUICKSCREWS INTERNATIONAL CORP

# SPEC SHEET

Part #	Box Quantity
15890	20 Galva Flashing



<b>15890</b>	<b>Customer</b>	<b>SolarRoofHook</b>
<b>Flashing must be flat</b>		



**Technical requirement :** The dimensions of the hooks are in accordance with the drawings.  
**Surface smooth, without burr.**

<b>Baiting tolerance</b>	± 2 mm	<b>Material:</b>	Galvalume with Black Powder Coating	<b>Mapper:</b>	
<b>Hole tolerance</b>	± 0.2 mm				
<b>Hole distance tolerance</b>	± 0.5 mm	<b>Date:</b>	2018. 02. 02	<b>Auditor:</b>	
<b>Form tolerance</b>	± 2 mm				
<b>Thickness tolerance</b>	± 0.1 mm				
<b>Angle tolerance</b>	± 1° mm				